

The **AV-OL-LI** is a next-generation light certified to ICAO Low Intensity Type A, B and E requirements, for obstructions up to 150 ft / 45 m above ground level.

### Key Features:

- Concurrent Visual and Infrared output
- Internal diagnostics and alarm outputs for remote monitoring
- DC Input
- User configurable I/O
- Adjustable operation mode

Optional



Controller



Solar



Mounting



### Concurrent visual and infrared output

The increasing prevalence of NVG assisted operations in ICAO markets means concurrent visual and infrared is now standard.

### Internal diagnostics and alarm outputs for remote monitoring

The new Low Intensity lights meet new standards for de-coupled, failsafe alarming for both visible and IR outputs as well as photocell status. This all interfaces to the Obstruction Lighting Controller which can be optioned with SATCOM or GSM remote monitoring and can be managed via Star2M.

### DC Input

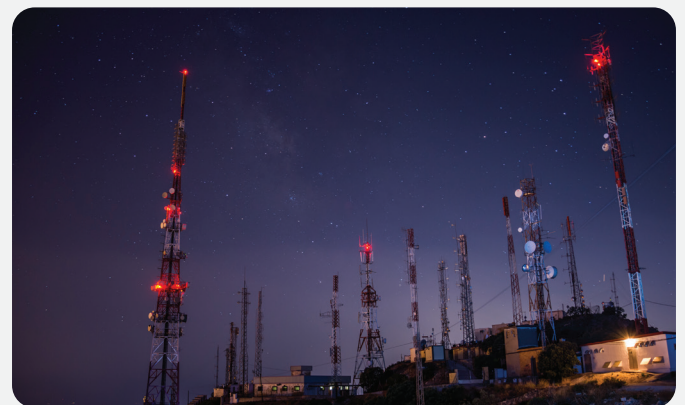
The Low Intensity light is applicable to a wide range of applications and installation configurations, so it has been designed for a wide input voltage range. Support for higher DC voltages is critical in order to optimise cabling and power characteristics.

### User configurable I/O

The AV-OL-LI includes discrete inputs and outputs in order to meet monitoring requirements as well as provide easy compatibility with obstruction lighting controllers.

### Adjustable operation mode

The Low Intensity Obstruction Light can be adjusted between either Day and Night or Always On (24 hours) to suit your application.



### Light Characteristics

Light Source	LED
Colour	Red/IR
Peak intensity (cd)	Complies with ICAO Low Intensity Type A, B and E
Horizontal Output (degrees)	360
Vertical Divergence (degrees)	As per ICAO specifications
Reflector Type	Single LED Optic
Operation Mode Adjustment	User adjustable between dusk till dawn and 24 hour operation
LED Life Expectancy (hours)	<100,000

### Electrical Characteristics

Operating Voltage	12-48 VDC
Power (W)	TBA
Circuit Protection	Integrated
Temperature Range	-40 to 55°C

### Physical Characteristics

Body Material	LEXAN® Polycarbonate - UV stabilised
Lens Material	LEXAN® Polycarbonate - UV stabilised
Lens Diameter (mm/inches)	98 / 3.85
Mounting	3/4 inch pipe thread
Height (mm/inches)	160 / 6.30
Width (mm/inches)	121 / 4.76
Mass (kg/lbs)	0.5 / 1.1
Service Life	12 years plus

### Environmental Standards

Shock	MIL-STD-202G, Test Condition G, Method 213B
Vibration	MIL-STD202G, Test Condition B, Method 204
Wind Speed	Up to 240 kph / 150 mph
Humidity	0 to 100%

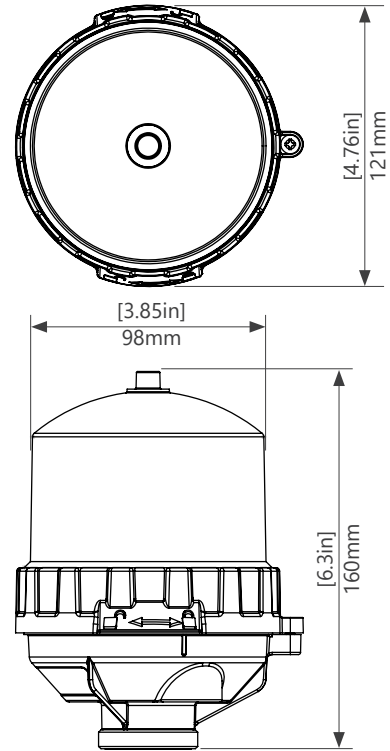
### Compliance

EMC	EN61000-6-4:2019 EN61000-6-2:2019
Quality Assurance	ISO9001:2015
ICAO	Low Intensity Obstruction Light - Type A, B and E

### Other

Warranty	5 year warranty
Options Available	Add on solar system for DC variant. Mounting accessories. Obstruction Controller with SATCOM or GSM available. Turn-key kit based on structure.
Terms and Conditions*	Please refer to the light installation manual for further specifications.  Warranty Terms and Conditions available at <a href="http://www.avlite.com">www.avlite.com</a>

### Technical Illustrations



### Ordering This Product

AV-OL-LI-[XX]-[XX]



- 1** Product Number
- 2** Input Power  
DC      DC Input
- 3** Option Configuration
  - 00 Base Build, No Configuration
  - 01 ICAO Low Intensity Type A
  - 02 ICAO Low Intensity Type B
  - 03 ICAO Low Intensity Type E



Want to monitor, maintain, manage and control your assets? [Click here](#)