

The **AV-OL-CTRL-T1** Obstruction Lighting Controller provides a full turnkey solution for structures up to 45 meters (150 feet).

Key Features:

- Supports one Dual Low Intensity Light
- Remote monitoring capabilities via GSM and SATCOM
- Easy to handle and install
- Small form factor
- IP65 waterproof rated
- Best-in-class system power draw

Optional



SATCOM



GSM



Solar



Mounting



Remote monitoring capabilities via GSM and SATCOM

Avlite offers remote Star2M™ monitoring via GSM or SATCOM for the AV-OL-CTRL-T1. Operators can remotely monitor the status of their installation from a compatible device.

The system can also be configured to send out SMS text messages or e-mail alerts to designated operators should alarm conditions be triggered, such as low voltage or light failure.

Easy to handle and install

The AV-OL-CTRL-T1 has been designed to be easy to install (with optional Mounting Bolt Set), with optimised cabling lengths.

IP65 waterproof rated

The T1 is waterproof rated to a minimum of IP65. Capable of continuous operation in temperatures of -40°C and +55°C (-40°F and 131°F).

Best-in-class system power draw

The AV-OL-CTRL-T1 is available in universal AC or DC input power configurations. Power consumption is best in class. The complete system is designed to be immune to high voltage EMI (electromagnetic emissions)



AC

DC

Electrical Characteristics

Input Voltage	90-264VAC	12-48VDC
Input Frequency	50/60 Hz	N/A

Power Consumption (Full Load)

Peak	20VA	6W
------	------	----

Physical Characteristics

Mounting	Wall mounted (mounting accessories available)
Height (mm/inches)	343/13.5
Width (mm/inches)	305/12
Length (mm/inches)	152/6
Mass (kg/lbs)	7.3/16
Service Life	12 years+

Intellectual Property

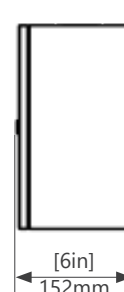
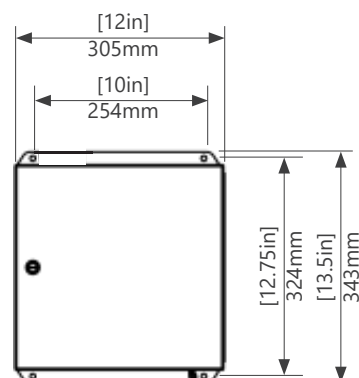
Trademarks	AVLITE® is a registered trademark of Avlite Systems
------------	--

Compliance

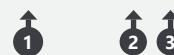
CE	EN61000-6-3:2007 EN61000-6-1:2007 FCC 47 CFR Part 15, subpart B
Quality Assurance	ISO9001:2015
Protection Rating	IP65/NEMA4X

Other

Warranty	3 year warranty
Options Available	SATCOM or GSM Mounting Brackets Solar Input Power (for 12-48VDC) Cable Kit (for 45m height) Monitoring and Control Mounting Bolt Set (includes bolts, nuts, washers) Star2M
Terms and Conditions	Please refer to the individual light installation manuals for further specifications Warranty Terms and Conditions available on www.avlite.com

Technical Illustrations**Ordering This Product**

AV-OL-CTRL-T1-XX-XX



- 1** Product Name
- 2** Power Input Supply
 - UM Universal Mains Input
 - DC DC Input
- 3** Option Configuration
 - 00 Base Build
 - 01 Monitoring and Control only
 - 02 Remote Monitoring & Control - SATCOM
 - 03 Remote Monitoring & Control - GSM



Want to monitor, maintain, manage and control your assets? [Click here](#)