

The **AV-OL-CMI** is a next-generation light certified with ICAO Medium Intensity Type A, B or C requirements, for obstructions between 201 ft and 350ft / 61 m and 106 m above ground level.

Key Features:

- Concurrent Visual and Infrared output
- Internal diagnostics and alarm contact for remote monitoring
- DC Input
- User configurable I/O
- Adjustable operation mode



Optional



Controller



Solar



Mounting

Concurrent visual and infrared output

The increasing prevalence of NVG assisted operations in ICAO markets means concurrent visual and infrared is now standard.

Internal diagnostics and alarm contact for remote monitoring

The new Combined Medium Intensity lights meet new standards for alarming for both visible and IR outputs as well as photocell status. This all interfaces to the Obstruction Lighting Controller which can be optioned with SATCOM or GSM remote monitoring and can be managed via Star2M.

DC Input

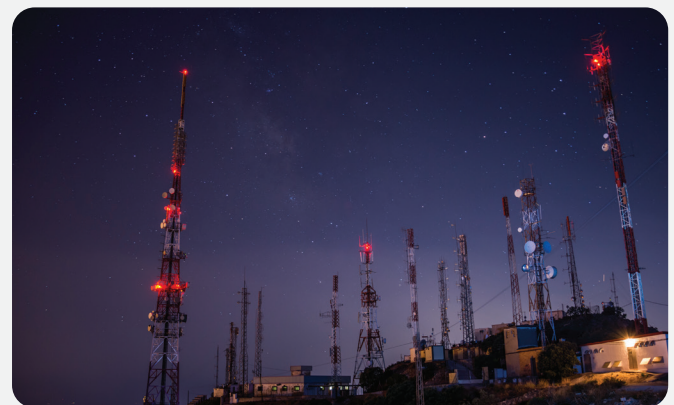
The Combined Medium Intensity light is applicable to a wide range of applications and installation configurations, so it has been designed for a wide input voltage range. Support for higher voltages is critical in order to optimise cabling and power characteristics.

User configurable I/O

The AV-OL-CMI includes discrete inputs and outputs in order to meet monitoring requirements as well as provide easy compatibility with obstruction lighting controllers.

Adjustable operation mode

The Combined Medium Intensity Obstruction Light can be adjusted between either Day and Night or Always On (24 hours) to suit your application.



DC

Light Characteristics

| | |
|-------------------------------|--|
| Light Source | LED |
| Colour | Red/White/IR |
| Peak intensity (cd) | Complies with ICAO Medium Intensity Type A, B and C |
| Horizontal Output (degrees) | 360 |
| Vertical Divergence (degrees) | As per ICAO specifications |
| Reflector Type | Multi LED Optic |
| Operation Mode Adjustment | User adjustable between dusk till dawn and 24 hour operation |
| LED Life Expectancy (hours) | < 100,000 |

Electrical Characteristics

| | |
|--------------------|---|
| Operating Voltage | 36-48 VDC |
| Peak Power (W) | 500 W |
| Average Power (W) | Type A: Day (White) 42 W Type B: Night (Red) 8 W Type C: Night (Red) 36 W |
| Circuit Protection | Integrated |
| Temperature Range | -40 to 55°C |

Physical Characteristics

| | |
|---------------------------|---------------------------------------|
| Body Material | 7-stage powder-coated aluminium |
| Lens Material | Impact modified UV stabilized acrylic |
| Lens Diameter (mm/inches) | 296 / 11.75 |
| Mounting | 200 / 7.07 bolt pattern |
| Height (mm/inches) | 160 / 6.30 |
| Width (mm/inches) | 209 / 8.25 |
| Mass (kg/lbs) | 9.7 / 25.4 |
| Service Life | 12 years plus |

Environmental Standards

| | |
|------------|---|
| Shock | MIL-STD-202G, Test Condition G, Method 213B |
| Vibration | MIL-STD202G, Test Condition B, Method 204 |
| Wind Speed | Up to 240 kph / 150 mph |
| Humidity | 0 to 100% |

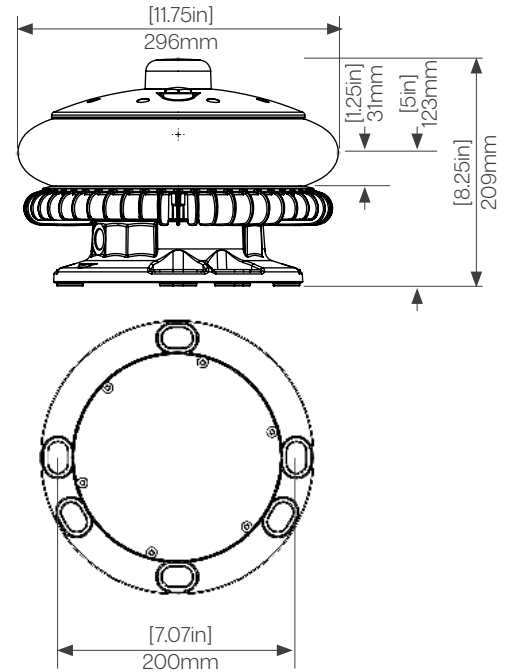
Compliance

| | |
|-------------------|--|
| EMC | EN61000-6-4:2019 EN61000-6-2:2019 |
| Quality Assurance | ISO9001:2015 |
| ICAO | Medium Intensity Obstruction Light - Type A, B and C |

Other

| | |
|----------------------|--|
| Warranty | 5 year warranty |
| Options Available | Add on solar system for DC variant. Mounting accessories. Obstruction Controller with SATCOM or GSM available. Turn-key kit based on structure. |
| Terms and Conditions | Please refer to the light installation manual for further specifications Warranty Terms and Conditions - www.avlite.com |

Technical Illustrations



Ordering This Product

AV-OL-CMI-[XX]



1 Product Number

2 Option Configuration

- 00 Base Build, No Configuration
- 01 ICAO Medium Intensity Type A
- 02 ICAO Medium Intensity Type B
- 03 ICAO Medium Intensity Type C
- 04 ICAO Medium Intensity Type A & B
- 05 ICAO Medium Intensity Type A & C



Want to monitor, maintain, manage and control your assets? [Click here](#)