



FTS 350i-2 Wind Turbine Lighting System

The FTS 350i-2 is an FAA L-864 / ICAO Medium Intensity Type B aircraft warning light. A fully integrated system designed for wind turbine operators, it offers a weather-resistant polymer construction, industry-leading surge protection and Aircraft Detection Lighting System (ADLS) connectivity. Small and light, this stand-alone obstruction light does not have a controller taking up scarce space inside the nacelle.

The FTS 350i-2 complies with FAA AC 70/7460-1M and 1L requirements for turbines with rotor tip heights less than 699 feet and is certified to AC 150/5345-43J (infrared).

Standard Features

- Infrared (IR) LEDs for compatibility with NVG and NVIS per FAA AC 150/5345-43J
- Aircraft Detection Lighting System (ADLS) interface (lighting control module sold separately)
- Surge immunity of 25kA to withstand 99% of all lightning strikes
- Fully integrated system – no external controller
- Easy to carry and install on turbines due to extremely low weight
- Fresnel optics minimize ground scatter, making the light more community friendly
- GPS for synchronized flashing
- Handheld remote controller simplifies light setup
- Field-configurable flash rate of 20 or 30 fpm
- Dry contact alarm for beacon, GPS sync and mode change
- 5-year warranty

Optional Features

- Adaptor plates for existing mounting brackets
- Mounting brackets available for multiple turbine manufacturers
- Overvoltage protection device (OVP)



FTS 350i-2

SPECIFICATIONS

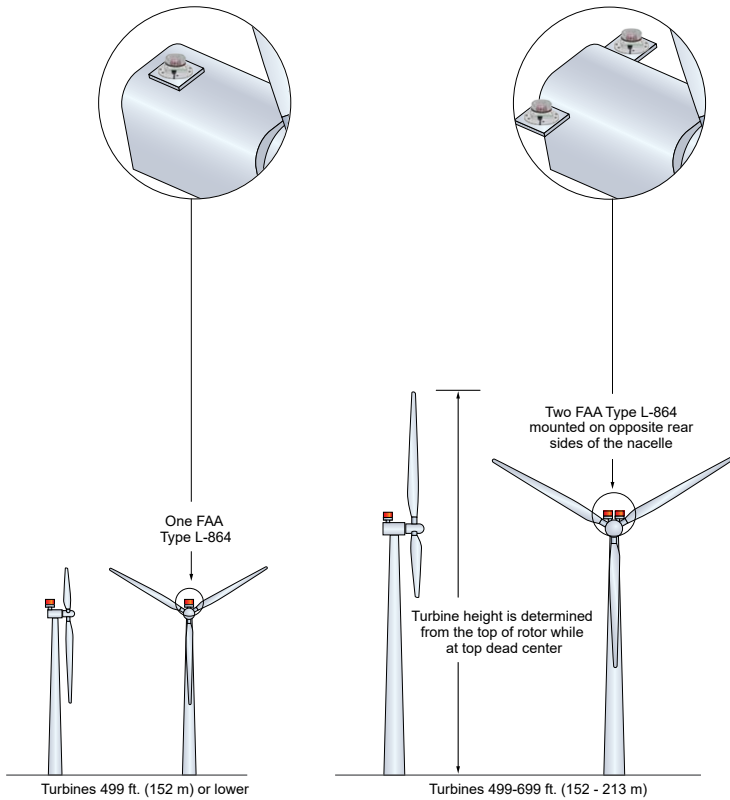
Input Voltage	120-240 VAC
Frequency	50-60 Hz
FH Weight	2.9 lbs. (1.3 kg)
FH Aerodynamic Wind Area	26.8 in ² (17,290 mm ²)
Protection Rating	IP66

POWER CONSUMPTION

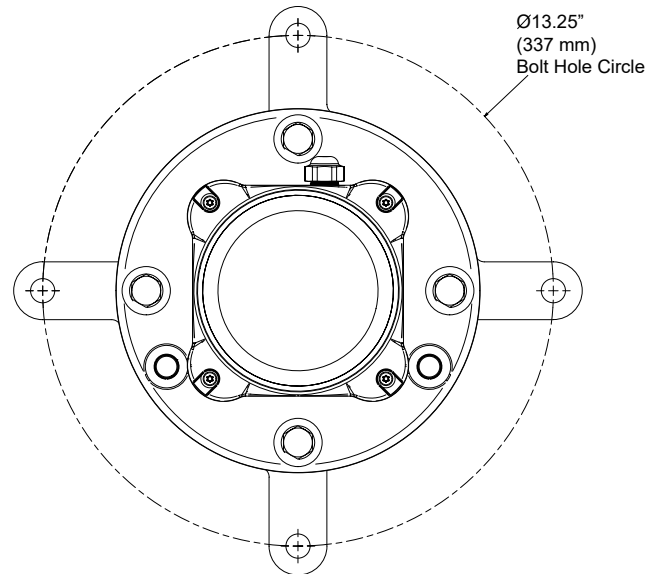
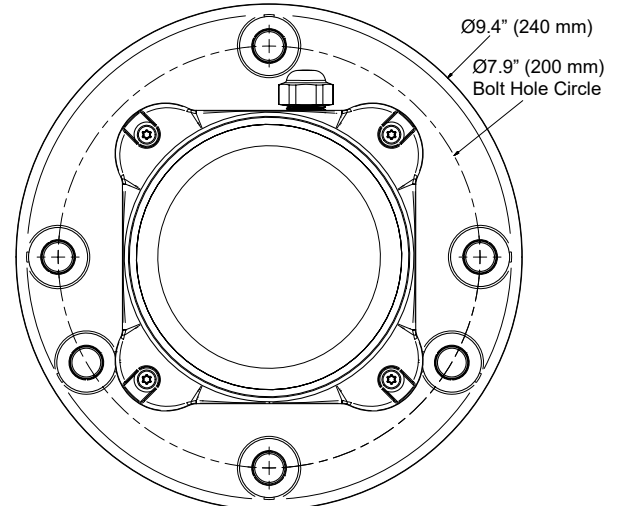
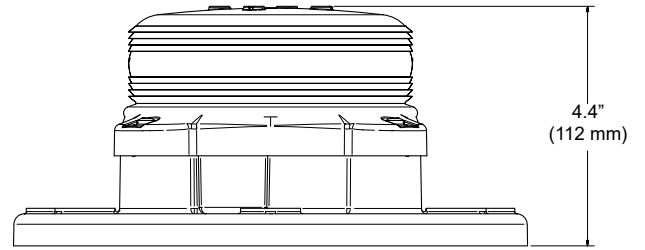
	20 fpm	30 fpm
L-864 red night at 2,000 ± 25% ECD flash intensity	6W	9W

Power consumption is 1 watt in stand-by.

FAA WIND TURBINE LIGHTING



DIMENSIONS



FTS 350i-2 with
Adaptor Plates

FLASH TECHNOLOGY 

flashsales@spx.com | flashtechology.com/obstruction | 1.615.503.2000

©2022 Flash Technology. All rights reserved. Data and specifications subject to change without notification. ISO 9001:2015. D350I-01 Rev E