

Flashhead Extension Brackets

Flashhead extension brackets are designed to elevate the beacon above appurtenances, providing 360-degree visibility and ensuring an unobstructed view per FAA AC70/7460, A1-3.

Flash Technology offers 5 extension bracket options. All brackets use a universal 13.25" bolt hole pattern, boast a rugged design for long life and are easy to install.

2' EXTENSION BRACKET



- Weight: 9 lbs (4 kg)
- Non-corrosive aluminum
- Lightweight
- PN 11000016671

36" BEACON EXTENSION BRACKET



- Weight: 27 lbs (12.2 kg)
- Galvanized steel
- PN 11000016651

36-66" BEACON EXTENSION BRACKET



- Weight: 45 lbs (20.4 kg)
- Galvanized steel
- Extendable to 66"
- PN 11000016652

Flashhead Extension Brackets

OL2 EXTENSION BRACKET



The OL2 mounting bracket is designed to adapt a 3/4" NPT OL2 mount to an available flashhead mounting plate on top of the tower. It elevates the double L-810 unit 12" above appurtenances.

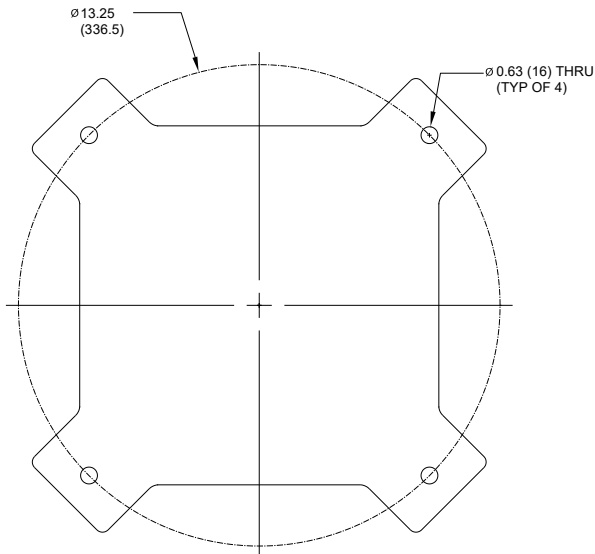
- Designed for fast and easy installation
- Weight: 3.5 lbs (1.59 kg)
- TIA-222G certified
- OL2 mounting bracket assembly includes welded base, aluminum tee coupling, 3/4" cord grip and 12" nipple conduit
- PN F3877103

60" EXTENSION BRACKET



- Adjustable to a maximum of 5'
- Schedule-40, 3" diameter steel
- PN F3991200

FOOTPRINT



Note: All dimensions are in inches (millimeters).

FLASH TECHNOLOGY 

flashsales@spx.com | flashtechology.com/obstruction | 1.615.503.2000

©2020 Flash Technology. All rights reserved. Data and specifications subject to change without notification. ISO 9001:2015. DFHBR-01 Rev C