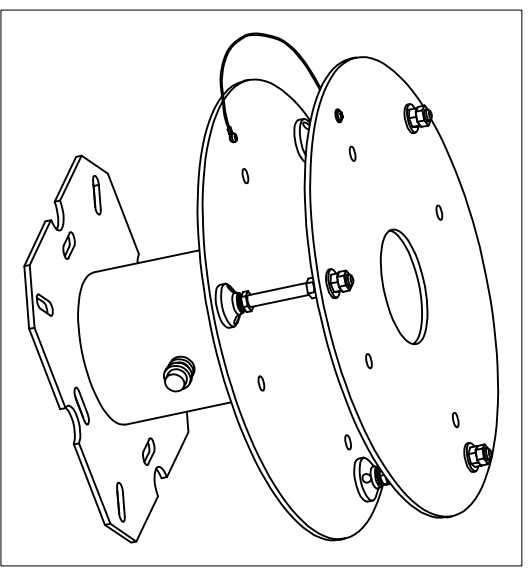
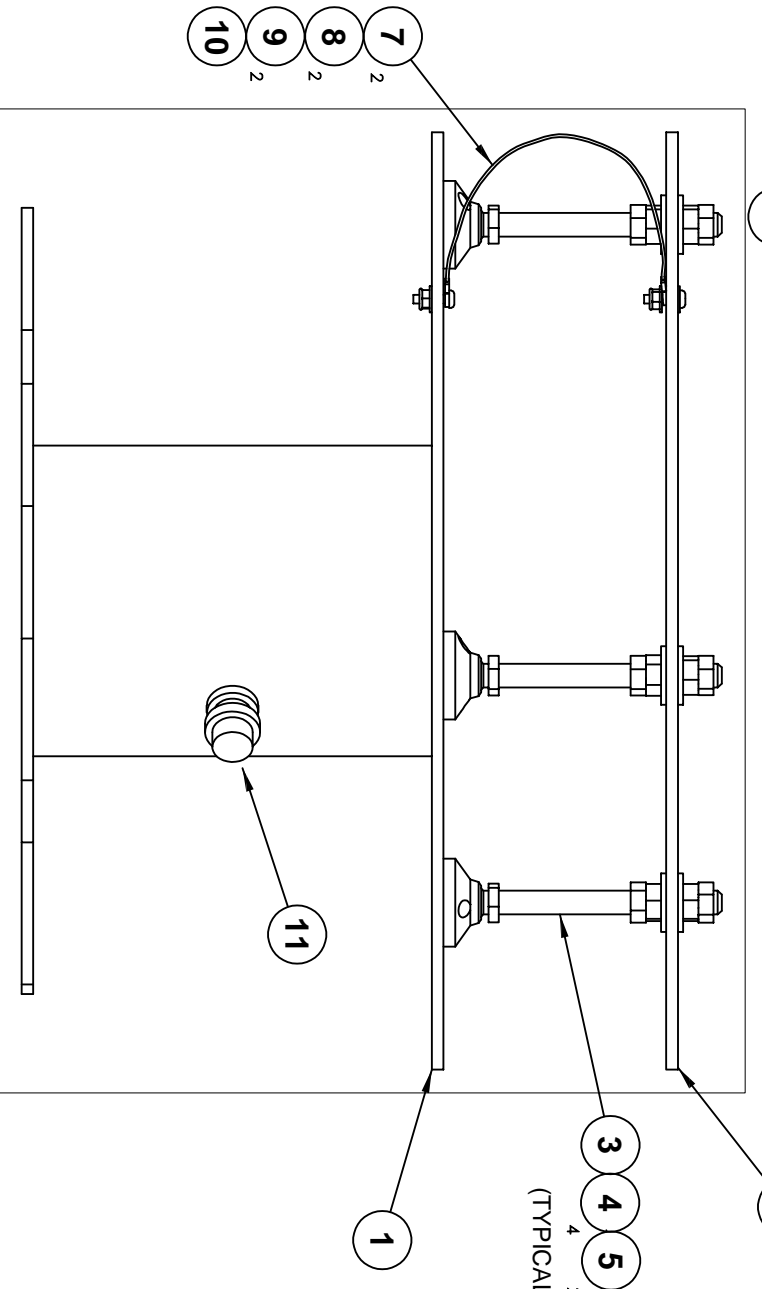
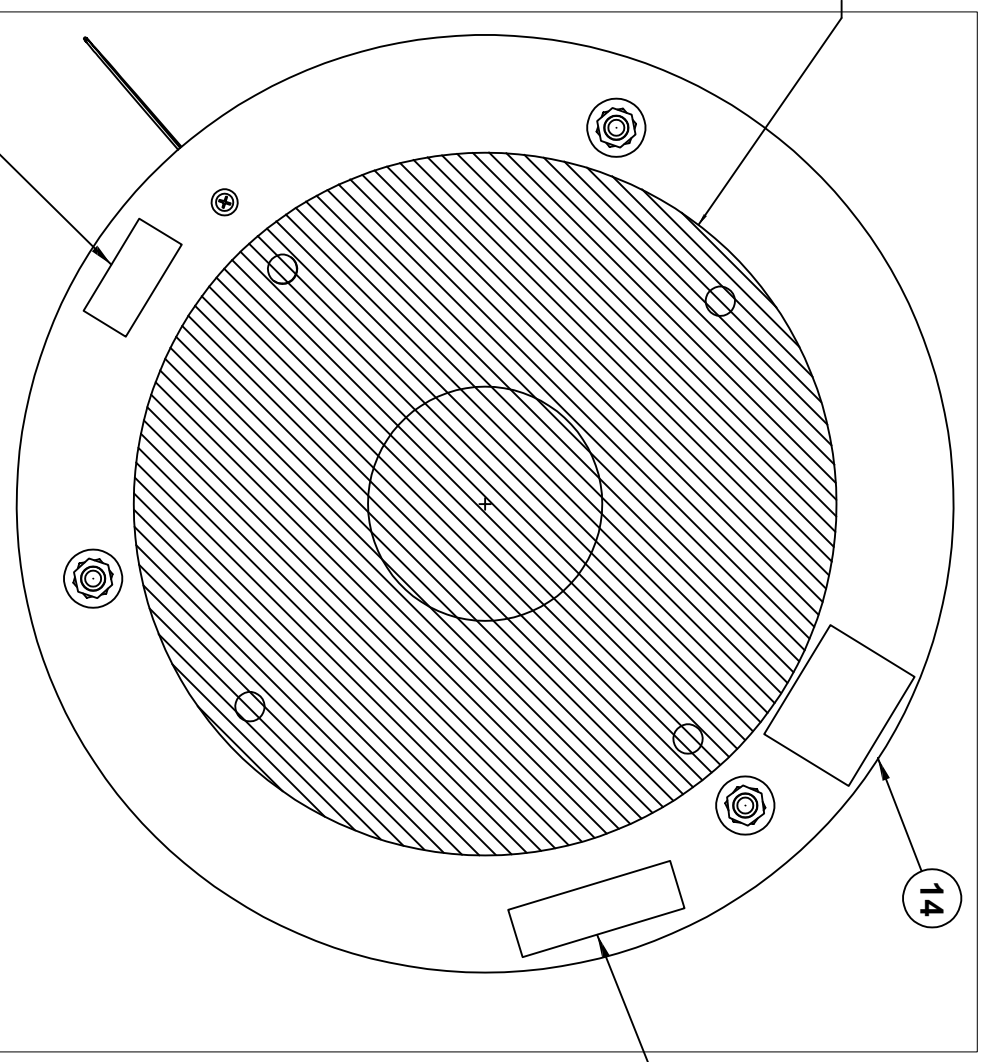


REV.	DRAWN BY	CHECKED BY	REVISION NOTE	ECO	DATE
	JMA	HK	CAD MAINTAINED. CHANGES SHALL BE INITIATED BY THE DESIGN ACTIVITY.		
A	JMA	HK	PRODUCTION RELEASE	5428	05/14/10
B	JMA	HK	ADDED 15" DIA. LABEL FREE AREA. ITEM 16 (BOM) QTY WAS 4.	5451	09/21/10
C	JMA	HK	ADDED IT: #17 (BOM ONLY) INSTALLATION INSTRUCTIONS	5503	06/08/11
D	SPG	MW	UPDATED BOM TO SHOW 370I-2	6861	02/06/20

BILL OF MATERIAL

ITEM	COMPONENT	DESCRIPTION	QTY	UNIT
1	F3991211	FTB360I/FTS370I/FTS370I-2 MTG BRKT BASE	11	EA
2	F3991212	FTB360I/FTS370I/FTS370I-2 MTG BRKT TOP PLATE	3	EA
3	F5991214	LEVELING MOUNT SS	12	EA
4	F5990025	NUT HEX 1/2 SS	6	EA
5	F5903057	WASHER FLAT 1/2 SS	6	EA
6	F5903570	SCREW 10-32 X 1 PPH SS	8	EA
7	F5900441	NUT ELASTIC STOP 10-32	8	EA
8	F5901117	WASHER FLAT #10	2	EA
9	F5902585	SCREW W/LW 10-32 X 5/8 SEM PPH INTERNAL	1	EA
10	F5990264	LANYARD 13 INCH	1	EA
11	F5903170	CONN CORD 1/2 NPT BLK PLASTIC	2	EA
12	F5990305P	CABLE TIE POLY (NOT SHOWN)	1	EA
13	F3991213	LABEL GND INSTRUCTIONS FTB360I/FTS370I/FTS370I-2	1	EA
14	F3991214	LABEL CAUTION JAM NUT FTB360I/FTS370I/FTS370I-2	1	EA
15	F5213300	LABEL FLASH LOGO	1	EA
16	F5991770	HARDWARE MOUNTING ASSY 3/8"-16 (NOT SHOWN)	1	EA
17	F7790200	FTB360I/FTS370I/FTS370I-2 INSTALLATION DIAGRAM	1	EA



1:4

NOTES:
1. VENDOR TO PROVIDE ITEMS "NOT SHOWN" IN BILL OF MATERIAL WITH KIT.

STATUS: PROD. RELEASE PART NO.: _____ MATERIAL: _____		DIMENSIONAL TOLERANCES (UNLESS OTHERWISE NOTED) DECIMAL DIMENSIONS 3 PLACE DIMENSIONS ±.010 2 PLACE DIMENSIONS ±.02 ANGLE DIMENSIONS ±1° REFERENCE DIMENSIONS ARE NOT FOR MANUFACTURING OR INSPECTION		TITLE: FTB360I/FTS370I/FTS370I-2 MTG BRKT ASSY UNIVERSAL	
FINISH: _____ DESIGNED BY: JJA CHECKED BY: JJA ENG. ZAFER MANUFACT: _____		DATE: 06/11/10 DATE: 06/11/10 DATE: 06/11/10		DRAWING NO.: 3991210 SCALE: 1:2 SHEET: 1 OF 1	
COMPANY CONFIDENTIAL INFORMATION CONTAINED HEREIN IS CONFIDENTIAL, IT IS THE PROPERTY OF EBK CORPORATION. IT IS TO BE USED SOLELY FOR THE PURPOSES INDICATED, AND IS NOT TO BE REPRODUCED OR TRANSMITTED IN ANY FORM OR BY ANY MEANS, WITHOUT THE PRIOR WRITTEN CONSENT OF EBK CORPORATION.		MANUFACTURING TOLERANCE AND PROCEDURES MUST BE IN ACCORDANCE WITH OTHER. ALL ALUMINUM CORNER AND BRASS WELDING MUST COMPLY WITH ANZMA BEST XIV PRODUCTION WELDING PROCEDURES. STRUCTURAL STEEL WELDING MUST COMPLY WITH AWS 11 CURRENT REVISION.		321 WAGON WHEELS RANALYN, TEXAS PHONE 936.283.5500	