



Solar Airfield Light Accessories

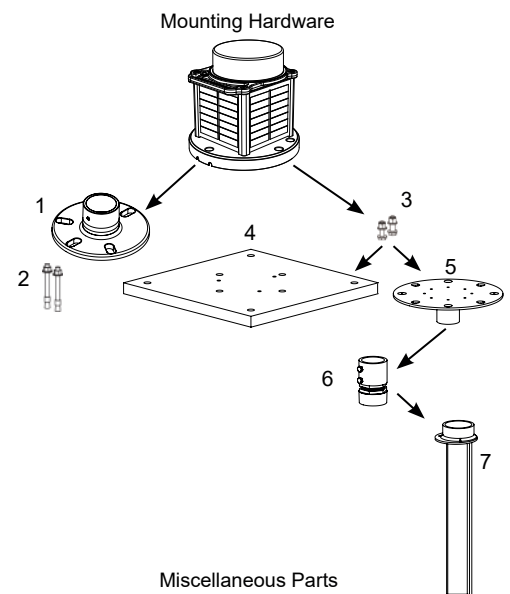
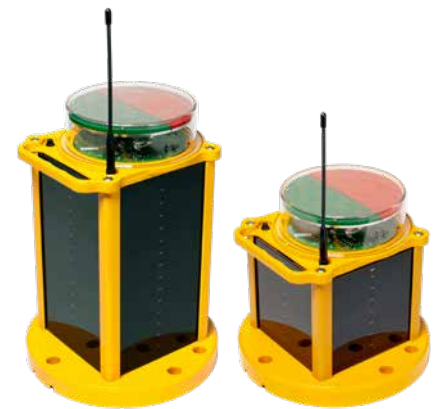
A704 Series Accessories

MOUNTING		
REFERENCE	PN	DESCRIPTION
1	82612	Frangible floor flange
2	76520	Anchor bolt kit
3	76516	Standard bolt kit, 700 series (2x stainless steel bolts)
4	81802	16 x 16" rubber mat
5	65714	Standard mounting plate
6	65711	Frangible coupling, 1.5" pipe x 2 thread
7	38925	2" hub stake - 15" long
-	65717	Extended mounting plate

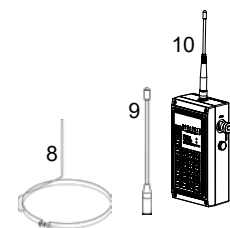
BATTERY/CHARGER		
REFERENCE	PN	DESCRIPTION
-	72890	Battery kit, A704 compact
-	72891	Battery kit, A704 standard
-	72892	Battery kit, A704 large
-	74314	Battery charger, A704 with military charge port, 100-240 VAC, 50/60 Hz
-	69885	Battery charger, A704 battery pack and barrel charge port, 100-240 VAC, 50/60 Hz

OPTICS		
REFERENCE	PN	DESCRIPTION
-	74690	Optical shield, 180 degree, several models
-	Inquire	Head kit, several models

MISCALLENAOUS PARTS		
REFERENCE	PN	DESCRIPTION
8	40865	A704 series bird deterrent
9	56150	Replacement antenna
10	83227	Handheld Controller (see page 2 for additional wireless control options)
-	48984	Installation tool kit with 5/32" security bit for head/battery changes and small socket set



Miscellaneous Parts



Solar Airfield Light Accessories

A650 Series Accessories

Items marked with an asterisk (*) may be used with the OL2A airfield obstruction light. For additional information, please contact flashsales@spx.com.

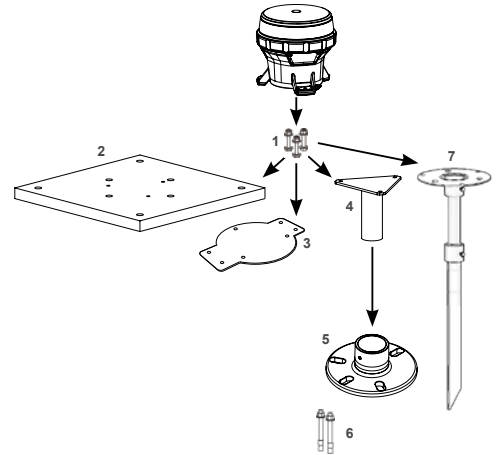
MOUNTING HARDWARE		
REFERENCE	PN	DESCRIPTION
1	84174*	Standard bolt kit, A650 series (3x stainless steel bolts)
2	81802*	Rubber mat
3	61869*	Fence mounting kit with hardware
4	66699*	Standard mounting plate (14" installed height)
5	82612*	Frangible floor flange
6	76520*	Anchor bolt kit
7	61870	Stake mounting kit, soft ground
-	38925*	2" hub stake - 15" long
-	61867*	Magnet mounting kit (3x magnets, nuts & washers)
-	69752*	Extended mounting plate (24" installed height)

BATTERY/CHARGER		
REFERENCE	PN	DESCRIPTION
-	72835	Battery kit, A650 series
-	59188	Charger: A650, 100-240 VAC 50/60 Hz

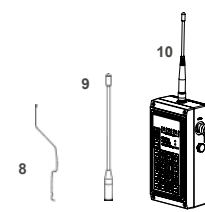
MISCELLANEOUS PARTS		
REFERENCE	PN	DESCRIPTION
8	57003	Bird deterrent, A650 series
9	56150	Replacement antenna
10	83227	Handheld Controller (see below for additional wireless options)
-	57392	Bottom cover replacement kit (with switch)
-	57393	Bottom cover replacement kit (without switch)
-	59198	Bottom cover access tool
-	48984	Installation tool kit with 5/32" security bit for head/battery changes and small socket set



Mounting Hardware



Miscellaneous Parts



Additional Accessories

Additional accessories are available. If you require a part that is not included on this accessories sheet including ERGL, Wind Cone or Guidance Sign mounting accessories or replacement parts, please contact flashsales@spx.com.

AIRFIELD WIRELESS CONTROL SYSTEMS	
PN	DESCRIPTION
83227	Handheld Controller
68066	Handheld Controller battery kit, Lith-ion 3.75V 5300mAh for controllers manufactured in 2012 and later
68067	Handheld Controller battery kit, Lith-ion 3.75V 5300mAh for controllers manufactured in 2011 and earlier
48176	Handheld Controller, hard shell carry case
69899	Infrared Programmer: A650
70373	L-854 ARCAL integration kit for handheld controller
Inquire	L-854 ARCAL radio control, multiple options
Inquire	Rugged laptop and monitoring software

SOLAR ENGINE POWER SUPPLY (SEPS)	
PN	DESCRIPTION
SEPS NW	Non-wireless control of ERGL, Wind Cone or Sign
SEPS W	Wireless control of ERGL, Wind Cone or Sign
32303	SEPS with replacement antenna
SEPS PAPI	Please inquire

CUSTOM TRAILERS	
PN	DESCRIPTION
Trailer 1	Custom trailer with charging
Trailer 2	Custom trailer without charging
Trailer 3	Custom cable trailer

FLASH TECHNOLOGY

flashsales@spx.com | flashtechnology.com/airfield | 1.615.503.2000