

## FTB 205 Coupling Transformer - Installation Instructions

### Purpose

These instructions cover installation of the T103 Coupling Transformer Assembly into the FTB 205 Optical Assembly, providing improved operation and reduction of missed flashes. The FTB 205 Coupling Transformer Kit (PN 1900721) includes all needed parts.

### Required Tools

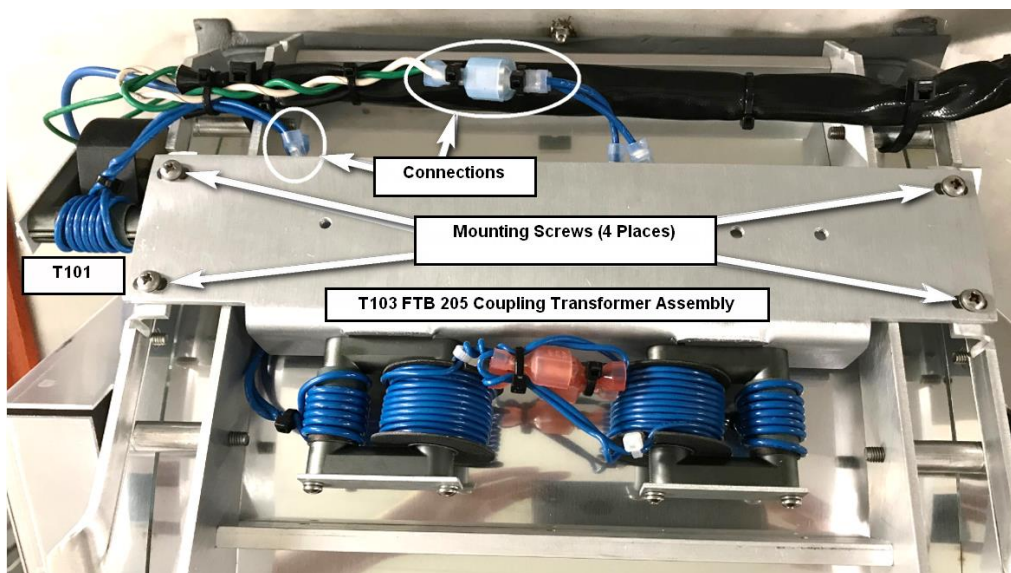
Qty	Description
1	#2 Phillips Screwdriver

### Kit Materials List

Qty	Part Number	Description
1	F1900720	FTB 205 COUPLING TRANSFORMER ASSEMBLY
4	F5900739	SCREW 6-32 X 1/2 PPH
1	F3726123	FTB 205 Info Card
6	F5901026	Tywrap Small



F1900720 – T103 FTB 205 COUPLING TRANSFORMER ASSY

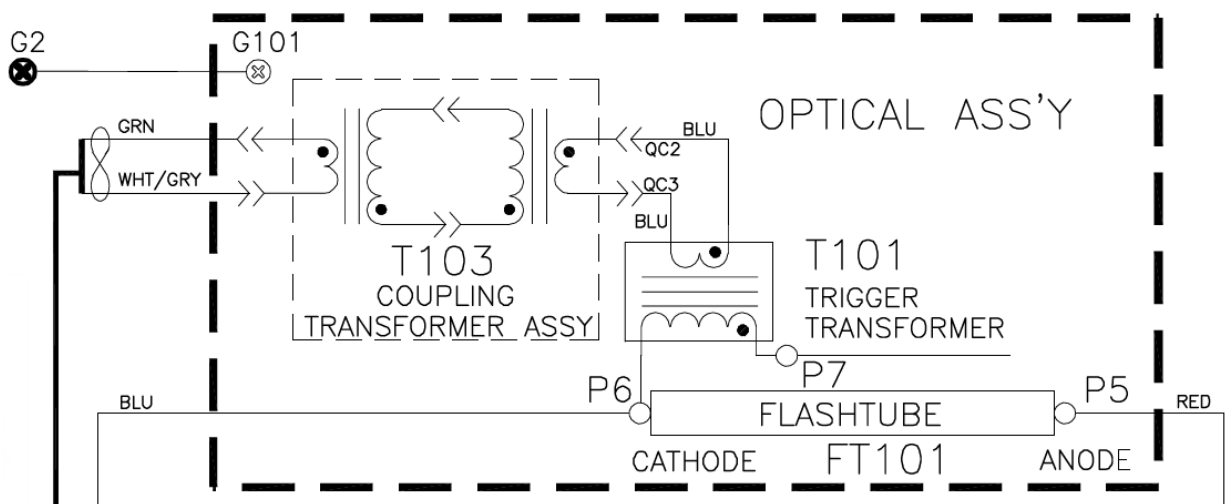


FTB 205 COUPLING TRANSFORMER KIT - INSTALLED

## FTB 205 Coupling Transformer - Installation Instructions

### Instructions

1. Open the FTB 205 enclosure door to power off the unit. Allow the High Voltage to bleed off.
2. Locate the T101 Trigger Transformer Assembly on the left side of the door-mounted Optical assembly. Disconnect the two blue terminals connecting the 7-Turn Winding to the White/Gray and Green wires. Cut wire ties as necessary to free the terminals.
3. Orient the FTB 205 Coupling Transformer Assembly plate as shown in photo with the coupling transformers pointed down and the two blue wires with wire extensions on right.
4. Position the plate in the location shown on top of the Optical Assembly. Do not install screws at this time.
5. Connect the 2 blue terminals from the left 7-Turn Winding to the 2 blue terminals from the T101 Trigger Transformer Assembly.
6. Connect the 2 blue terminals from the right 7-Turn winding to the 2 blue terminals from the White/Gray and Green wires disconnected previously. Position all wires under the plate.
7. Mount the plate using a #2 Screwdriver and the 4 – 6-32 X 1/2 PPH screws supplied with kit.
8. Install wire ties to secure wires as needed.
9. Install new Info Card onto back of Optical Assembly
10. Power on and verify correct operation by testing in all modes and confirming no alarms.



FTB 205 Optical Assembly Wiring Diagram with T103 Coupling Transformer Assembly Installed