

# FAA Lighting Adjacent Structures

**Day Protection = 270,000 cd White Light (painting of tower is typically not required)**

**Twilight Protection = 20,000 cd White Light**

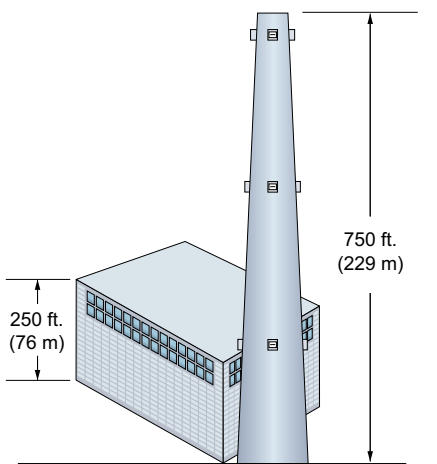
**Night Protection = 2,000 cd White Light**

**Bright Ideas. Brilliant Results.**

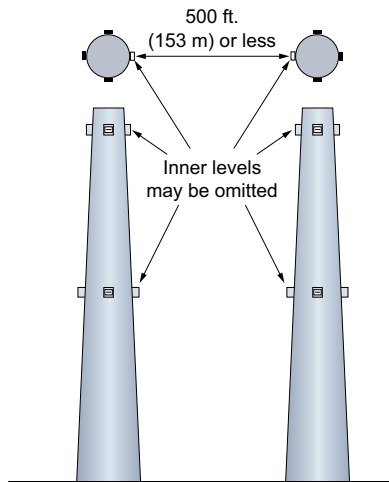
Flash Technology  
332 Nichol Mill Lane  
Franklin, TN 37067-8203 USA

T +1 615 503 2000  
T +1 888 313 5274  
F +1 615 261 2600

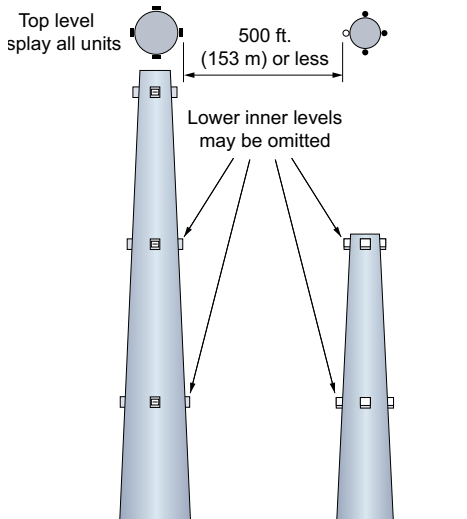
flashtechnology.com



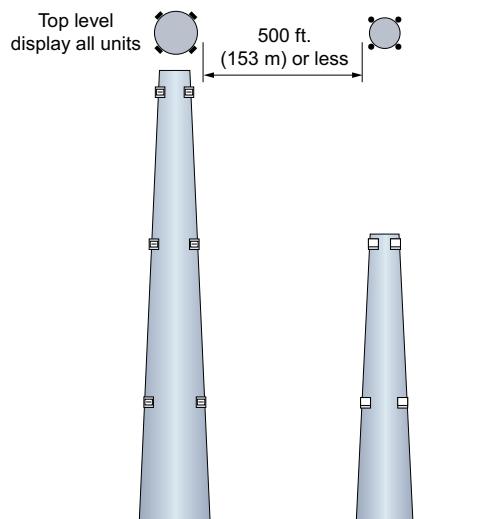
Lowest level should be above adjacent structure



Structures of equal height. Number of levels depends upon height of structure  
(Lights on both structures to be synchronized)



One structure higher than the adjacent structure and light levels are on same horizontal plane  
(Lights on both structures to be synchronized)



One structure higher than the adjacent structure and light levels are on same horizontal plane  
(Lights on both structures to be synchronized)

● / □ / □ = L-856 (high intensity flashing white light)

● / □ / □ = L-865 (medium intensity flashing white light)



ISO 9001:2015

Data and specifications subject to change without notification.

©2017 Flash Technology  
All rights reserved.