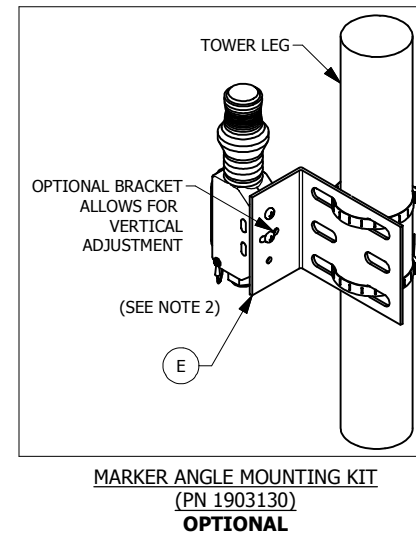
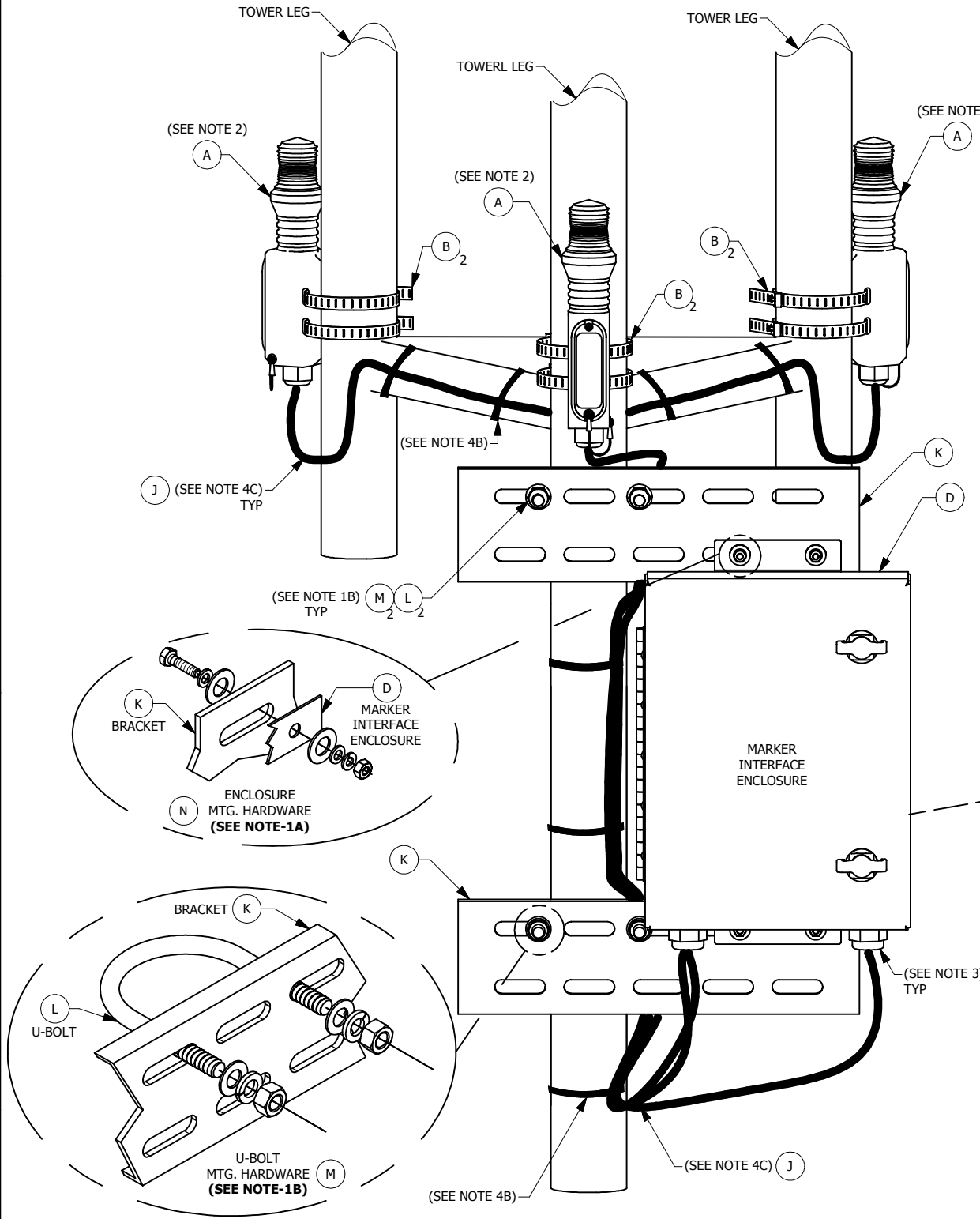
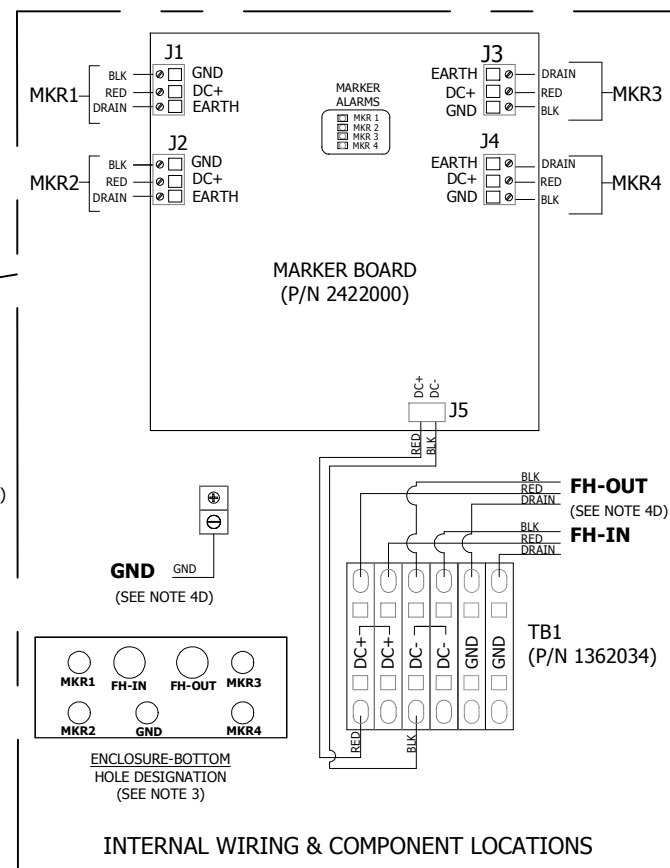


ZONE		REV	ECO	REVISIONS	DESCRIPTION	REV BY	DATE	APPR BY
	A	5801		PRODUCTION RELEASE		SPS	02/14/14	HK
	B	5861		ADDED ITEM A2 MKR 370 DC IR		SPS	05/20/14	HK
	C	6276		UPDATED MARKER BASE AND BOM		SG	11/16/16	HK
	D	6437		UPGRADE FROM MKR 370 TO MKR 371		SG	08/07/17	

BILL OF MATERIAL		COMPONENT QTY				
ITEM	P/N	DESCRIPTION	2 MKR	3 MKR	4 MKR	UNITS
	F19000XX / 10XX / 20XX / 30XX	MARKER L810 MKR 371 DC KIT	2	3	4	EA
A	F111901X	MARKER L810 MKR 371 DC	2	3	4	EA
B	F1903120	VANGUARD MARKER MOUNTING KIT (1) MARKER	2	3	4	EA
	F5990252	CLAMP ADJUSTABLE 2" - 10"	4	6	8	EA
C	F7904214	MKR 371 QUICK START GUIDE (NOT SHOWN)	1	1	1	EA
D	F190391X	MKR 371 MARKER INTERFACE ENCLOSURE	1	1	1	EA
E	F1903130	MARKER ANGLE MOUNTING KIT (OPTIONAL)	2	3	4	EA
	F1137106	MKR 371 HARDWARE KIT GUYED TWR VANGUARD	1	1	1	EA
F	F5900905	TAPE, ELECTRIC, 2"	1	1	1	EA
G	F5900906	TAPE, FILAMENT, 1"	1	1	1	EA
H	F5991728	TAPE, 0.75" BLACK ELECTRIC	1	1	1	EA
J	F4319000	CABLE, TC RATED 18AWG/3C MKR 371 60FT	1	1	1	EA
K	F3990810	BRACKET, ADJUSTABLE MOUNTING	2	2	2	EA
L	F5998351	U-BOLT HDG 1/2 X 3 X 5 CUSTOM THREAD	2	2	2	EA
M	F5991790	HARDWARE MOUNTING ASSY 1/2" (U-BOLT)	2	2	2	EA
	F5998335	NUT HEX, HOT DIPPED GALVANIZED, 1/2"	4	4	4	EA
	F5998336	LOCKWASHER, HOT DIPPED GALVANIZED, 1/2"	4	4	4	EA
	F5998337	FLATWASHER, HOT DIPPED GALVANIZED, 1/2"	4	4	4	EA
N	F5991717	MARKER BOX MOUNTING ASSEMBLY HARDWARE	1	1	1	EA
	F5900759	SCREW HEX HEAD, 1/4-20 X 1" SS	4	4	4	EA
	F5901101	FLATWASHER, 1/4"	8	8	8	EA
	F5998337	FLATWASHER, HOT DIPPED GALVANIZED, 1/2"	8	8	8	EA
	F5901141	LOCKWASHER, 1/4 SS	4	4	4	EA
	F5900444	NUT HEX 1/4-20 SS	4	4	4	EA



ITEM D-ENCLOSURE INFORMATION CARD



FH CABLE NOT SHOWN
GND CABLE NOT SHOWN

**DC MARKER INSTALLATION
GUYED TOWER
(3 MARKERS SHOWN)**

* SEE BOM AND PACKING SLIP FOR DETAILS

INSTALLATION NOTES

- MARKER INTERFACE ENCLOSURE AND U-BOLT INSTALLATION :**
A) LOCATE AND INSTALL MARKER INTERFACE ENCLOSURE (D) TO ADJUSTABLE MOUNTING BRACKET (K).
B) TRIM U-BOLT (L) IF PERMISSIBLE, TO AVOID ANY INTERFERENCE.
- INSTALLING MARKER FIXTURE:**
PERMISSIBLE MARKER ANGLE IS UP TO 5° FROM VERTICAL WITHOUT OPTIONAL ANGLE MOUNTING KIT (E).
- INSTALLING CABLE (J) THROUGH CORD GRIPS:**
A) INSERT CABLE (J) THROUGH CORD GRIP, LEAVING ENOUGH CABLE LENGTH TO MAKE ELECTRICAL CONNECTIONS.
B) FROM THE OUTSIDE OF THE MARKER INTERFACE ENCLOSURE, TIGHTEN CORD GRIP TO SECURE CABLE (J).
- INSTALLING CABLE (J) AND ELECTRICAL CONNECTIONS :**
A) DIRECT ALL CONNECTING CABLES DOWN AND AWAY FROM MARKER INTERFACE ENCLOSURE, TO PREVENT MOISTURE FROM ENTERING THE BOX.
B) SECURE ALL CABLES USING THE STANDARD 2-3-4 TAPING METHOD (F & G) AS DIRECTED IN EQUIPMENT MANUAL.
C) INSTALL A DRIP LOOP, FOR CABLE, NEAR THE MARKER INTERFACE ENCLOSURE AND AT EACH MARKER FIXTURE.
D) FLASHEAD AND GROUNDING CABLED TO BE INSTALL PER MANUAL. (SEE MARKER INTERFACE WIRING SECTION)
E) REFER TO MARKER QUICK START GUIDE (C) FOR PROPER ELECTRICAL CONNECTIONS.
- TECHNICAL SUPPORT:**
FOR TECHNICAL SUPPORT CALL "NOC" (1-800-821-5825).

UNLESS OTHERWISE SPECIFIED DIMENSIONS ARE IN INCHES TOLERANCES:		ENGINEERING - PROPRIETARY		Flash Technology	
.XX DECIMAL	.XXX DECIMAL	DRAWN BY: SG	DATE: 02/14/14	TITTLE	
± 0.02	± 0.010	CHECKED BY: HK	DATE: 02/14/14	MKR 371 DC GUY TOWER	
ANGLES ± 1°	SURFACE QUALITY ✓ MAX	ENGINEER: HK	DATE: 02/14/14	INSTALLATION DRAWING	
MATERIAL: SEE BOM		THIRD ANGLE PROJECTION		SIZE	DWG NO:
FINISH: NA				D	7790108
APPLICATION		SCALE: 1:1		SHEET:	1 OF 1

COMPANY CONFIDENTIAL: INFORMATION CONTAINED HEREIN IS CONFIDENTIAL. IT IS THE PROPERTY OF SPX CORPORATION. IT IS TO BE USED SOLELY FOR THE PURPOSE PROVIDED, AND IT IS NOT TO BE DISCLOSED TO OTHERS WITHOUT THE PRIOR WRITTEN CONSENT OF SPX CORPORATION.

332 NICHOL MILL LANE
FRANKLIN, TN 37067
UNITED STATES OF AMERICA
PHN: (615) 503-2000
FAX: (615) 281-2800