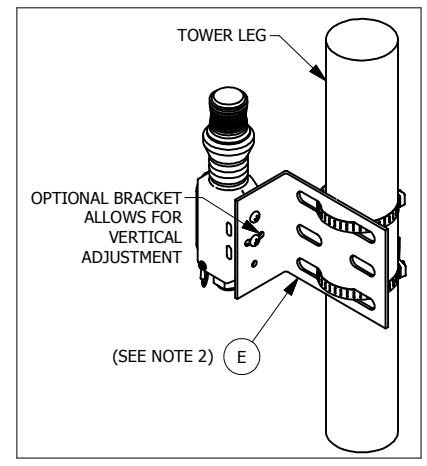
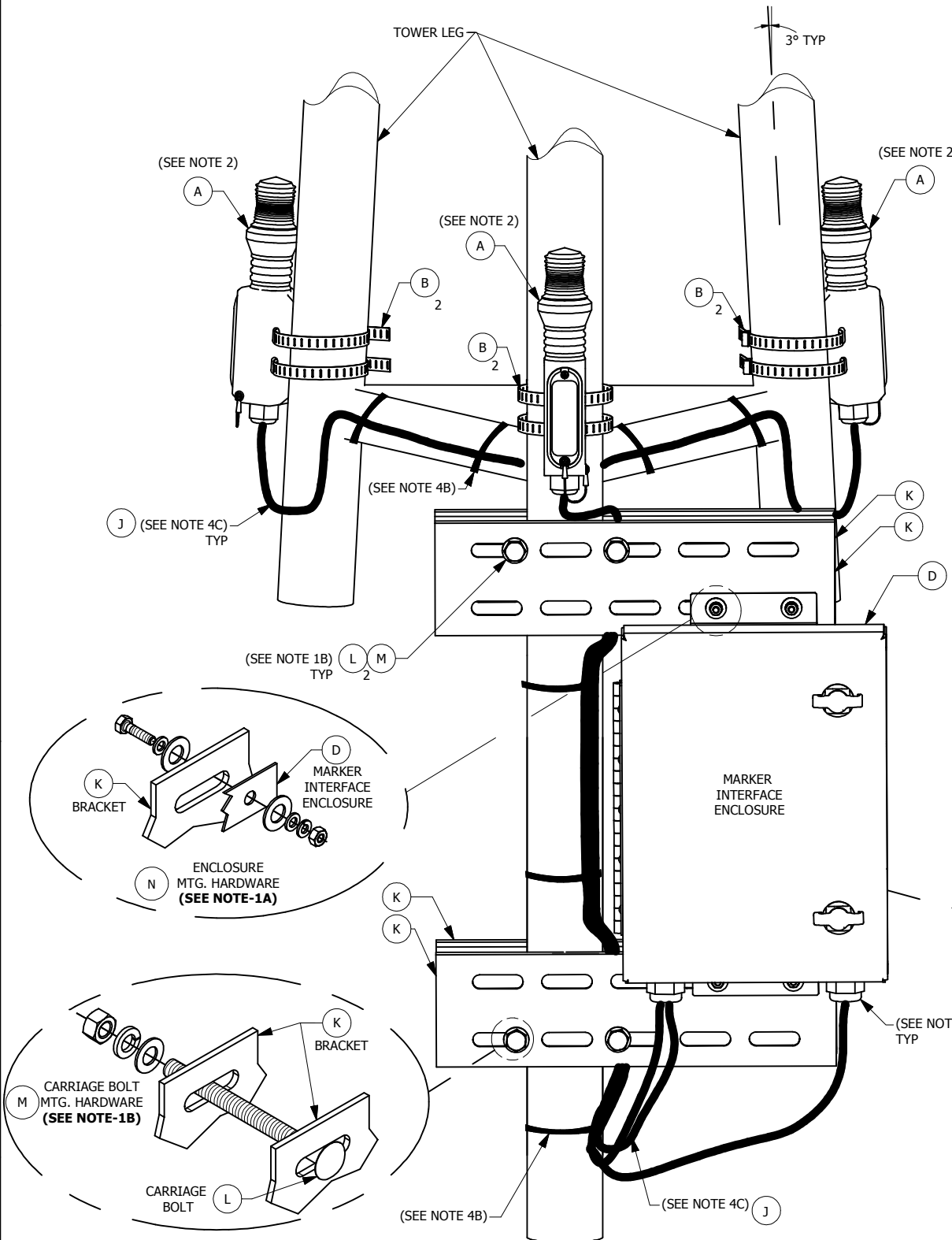
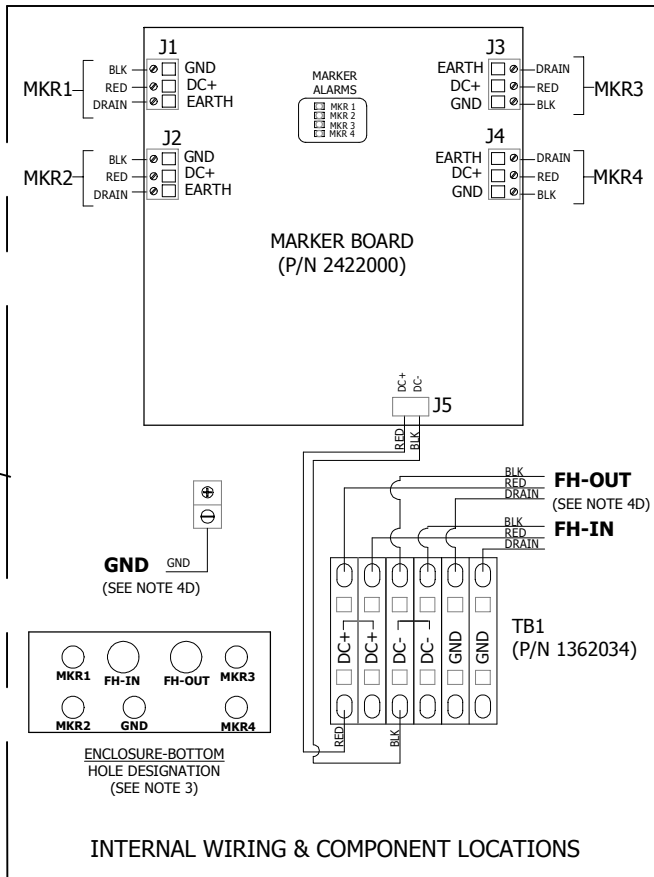


ZONE		REV	ECO	DESCRIPTION	REV BY	DATE	APPR BY
	A	5801		PRODUCTION RELEASE	SPS	02/14/14	HK
	B	5861		ADDED ITEM A2 MKR 370 DC IR	SPS	05/20/14	HK
	C	6276		UPDATED MARKER BASE AND BOM	SG	11/16/16	HK
	D	6437		UPDATED MRK 370 TO MKR 371	SG	08/07/17	

BILL OF MATERIAL							
ITEM	P/N	DESCRIPTION	COMPONENT QTY			UNITS	
			2 MKR	3 MKR	4 MKR		
	F19000XX	10XX / 20XX / 30XX	MARKER L810 MKR 371 DC KIT	2	3	4	EA
A	F11901X	MARKER L810 MKR 371 DC	2	3	4	EA	
B	F1903120	MKR 370 ADJUSTABLE STRAP KIT VANGUARD	2	3	4	EA	
	F5990252	CLAMP ADJUSTABLE 2" - 10"	4	6	8	EA	
C	F7904214	MKR 371 QUICK START GUIDE (NOT SHOWN)	1	1	1	EA	
D	F190391X	MKR 370 MARKER INTERFACE ENCLOSURE	1	1	1	EA	
E	F1903130	MARKER ANGLE MOUNTING KIT (OPTIONAL)	2	3	4	EA	
	F1137001	MKR 370 HARDWARE KIT SELF SUPT VANGUARD	1	1	1	EA	
F	F5900905	TAPE, ELECTRIC, 2"	1	1	1	EA	
G	F5900906	TAPE, FILAMENT, 1"	1	1	1	EA	
H	F5991728	TAPE, 0.75" BLACK ELECTRIC	1	1	1	EA	
J	F4218000	CABLE, TRAY RATED 18AWG/2C, 175 FT	1	1	1	EA	
K	F3990810	BRACKET, ADJUSTABLE MOUNTING	4	4	4	EA	
L	F5990119	CARRIAGE BOLT - 0.5"-13 X 12" LONG (HOT DIPPED GALVANIZED)	4	4	4	EA	
M	F5991790	HARDWARE MOUNTING ASSY 1/2" (CARRIAGE BOLT)	2	2	2	EA	
	INCLUDED IN ASSEMBLY HARDWARE	F5998335	NUT HEX, HOT DIPPED GALVANIZED, 1/2"	4	4	4	EA
	F5998336	LOCKWASHER, HOT DIPPED GALVANIZED, 1/2"	4	4	4	EA	
	F5998337	FLATWASHER, HOT DIPPED GALVANIZED, 1/2"	4	4	4	EA	
N	INCLUDED IN ASSEMBLY HARDWARE	F5991717	MARKER BOX MOUNTING ASSEMBLY HARDWARE	1	1	1	EA
	F5900759	SCREW HEX HEAD, 1/4-20 X 1" SS	4	4	4	EA	
	F5901101	FLATWASHER, 1/4"	8	8	8	EA	
	F5998337	FLATWASHER, HOT DIPPED GALVANIZED, 1/2"	8	8	8	EA	
	F5901141	LOCKWASHER, 1/4 SS	4	4	4	EA	
	F5900444	NUT HEX 1/4-20 SS	4	4	4	EA	



ITEM D-ENCLOSURE INFORMATION CARD



INSTALLATION NOTES

- MARKER INTERFACE ENCLOSURE AND CARRIAGE BOLT INSTALLATION :**  
 A) LOCATE AND INSTALL MARKER INTERFACE ENCLOSURE (D) TO ADJUSTABLE MOUNTING BRACKET (K).  
 B) TRIM CARRIAGE BOLT (L) IF PERMISSIBLE, TO AVOID ANY INTERFERENCE.
- INSTALLING MARKER FIXTURE:**  
 PERMISSIBLE MARKER ANGLE IS UP TO 5° FROM VERTICAL WITHOUT OPTIONAL ANGLE MOUNTING KIT (E).
- INSTALLING CABLE (J) THROUGH CORD GRIPS:**  
 A) INSERT CABLE (J) THROUGH CORD GRIP, LEAVING ENOUGH CABLE LENGTH TO MAKE ELECTRICAL CONNECTIONS.  
 B) FROM THE OUTSIDE OF THE MARKER INTERFACE ENCLOSURE, TIGHTEN CORD GRIP TO SECURE CABLE (J).
- INSTALLING CABLE (J) AND ELECTRICAL CONNECTIONS :**  
 A) DIRECT ALL CONNECTING CABLES DOWN AND AWAY FROM MARKER INTERFACE ENCLOSURE TO PREVENT MOISTURE FROM ENTERING THE BOX.  
 B) SECURE ALL CABLES USING THE STANDARD 2-3-4 TAPING METHOD (F & G) AS DIRECTED IN EQUIPMENT MANUAL.  
 C) INSTALL A DRIP LOOP, FOR CABLE, NEAR THE MARKER INTERFACE ENCLOSURE AND AT EACH MARKER FIXTURE.  
 D) FLASHHEAD AND GROUND CABLES TO BE INSTALLED PER MANUAL. (SEE MARKER WIRING SECTION)  
 E) REFER TO MARKER QUICK START GUIDE (C) FOR PROPER ELECTRICAL CONNECTIONS.
- TECHNICAL SUPPORT:**  
 FOR TECHNICAL SUPPORT CALL "NOC" (1-800-821-5825).

DC MARKER INSTALLATION SELF SUPPORT (3 MARKERS SHOWN)

\* SEE BOM AND PACKING SLIP FOR DETAILS

COMPANY CONFIDENTIAL: INFORMATION CONTAINED HEREIN IS CONFIDENTIAL. IT IS THE PROPERTY OF SPX CORPORATION. IT IS TO BE USED SOLELY FOR THE PURPOSE PROVIDED, AND IT IS NOT TO BE DISCLOSED TO OTHERS WITHOUT THE PRIOR WRITTEN CONSENT OF SPX CORPORATION.

UNLESS OTHERWISE SPECIFIED DIMENSIONS ARE IN INCHES TOLERANCES:		ENGINEERING - PROPRIETARY		Flash Technology	
.XX DECIMAL	.XXX DECIMAL	DRAWN BY: SPS	DATE: 02/14/14	TITLE	
± 0.02	± 0.010	CHECKED BY: HK	DATE: 02/14/14	MKR 371 DC SELF SUPPORT INSTALLATION DRAWING	
ANGLES ± 1°	SURFACE QUALITY ✓ MAX	ENGINEER: HK	DATE: 02/14/14	SIZE	DWG NO:
MATERIAL: SEE BOM		THIRD ANGLE PROJECTION		D	7790107
FINISH: NA		SCALE: NTS		SHEET:	1 OF 1

332 NICHOL MILL LANE  
FRANKLIN, TN 37067  
UNITED STATES OF AMERICA  
PHN: (615) 503-2000  
FAX: (615) 281-2800