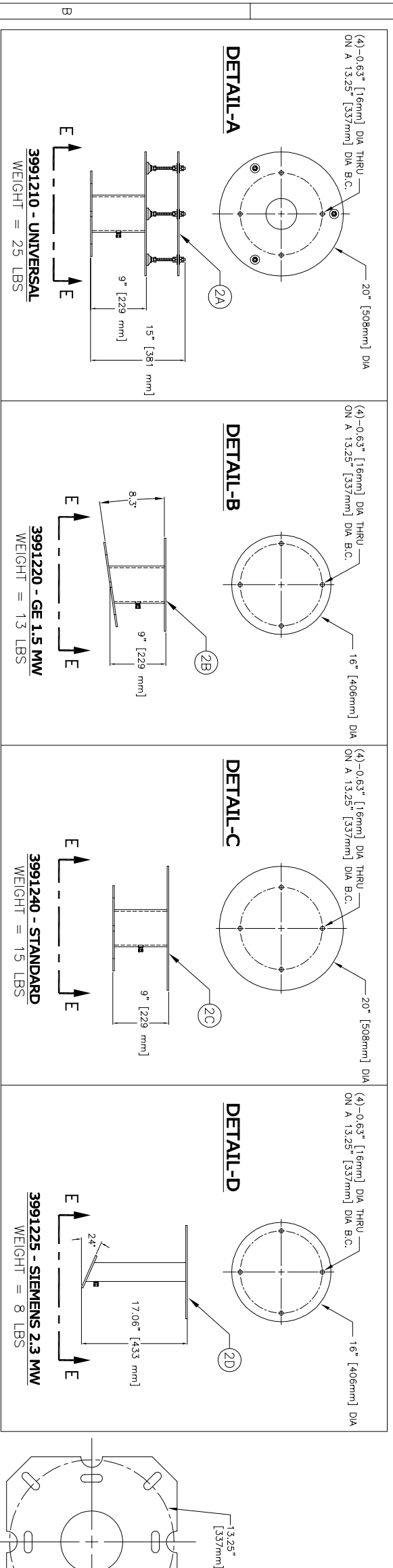
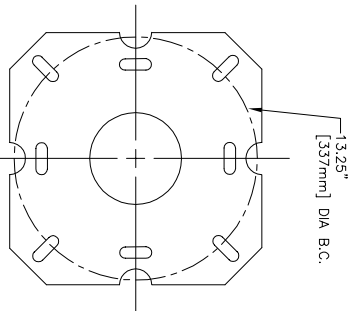


**WIND TURBINE NACELLE INSTALLATION DIAGRAMS
(REPRESENTATION ONLY)**



VIEW E-E

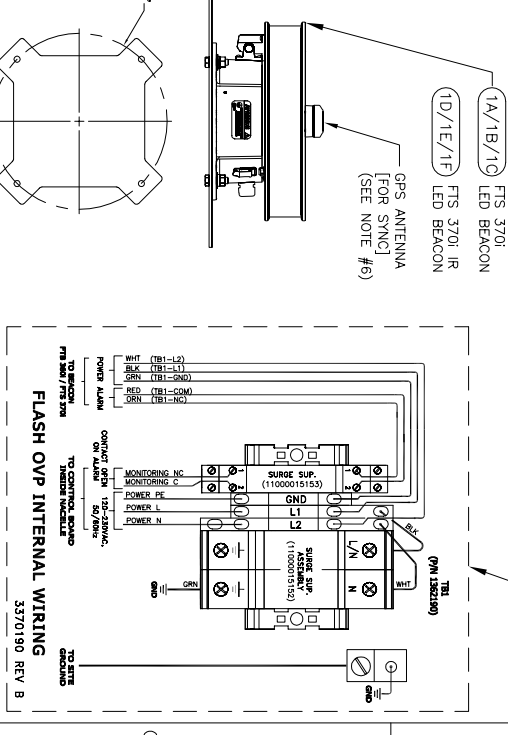


CABLE INSTALLATION CHART
(SEE NOTES #2 & #3)

TERMINAL	FLASH OVP (OPTIONAL)	ORGA	UNIMAR
L1/POWER	BLACK	BLACK-G	BLACK
L2/NEUTRAL	WHITE	WHITE	WHITE
GROUND	GREEN	GREEN	GREEN
ALARM COMM.	RED	ORANGE	ORANGE
ALARM NC	N/A	N/A	N/A
ALARM AUX-	N/A	N/A	N/A
RADAR AUX+	N/A	N/A	N/A

BILL OF MATERIAL

ITEM	COMPONENT	DESCRIPTION	QTY	UNIT
1A	1370170	FTS370I: LED INTEGRATED LB64	1	EA
1B	1370171	FTS370I: LED INTEGRATED LB64 ORGA 'G' SYNC	1	EA
1C	1370172	FTS370I: LED INTEGRATED LB64 UNIMAR SYNC	1	EA
1D	1370220	FTS370I: IR LED INTEGRATED LB64	1	EA
1E	1370221	FTS370I: IR LED INTEGRATED LB64 ORGA 'G' SYNC	1	EA
1F	1370222	FTS370I: IR LED INTEGRATED LB64 UNIMAR SYNC	1	EA
2A	3991210	MOUNTING BRACKET ASSEMBLY-UNIVERSAL	1	EA
2B	3991220	MOUNTING BRACKET ASSEMBLY-GE 1.5 MW	1	EA
2C	3991240	MOUNTING BRACKET ASSEMBLY-STANDARD	1	EA
2D	3991225	MOUNTING BRACKET ASSEMBLY-SIEMENS 2.3 MW	1	EA
3	5991170	MOUNTING HARDWARE ASSEMBLY	1	EA
4	3991212	MOUNTING PLATE	1	EA
5	5990305P	CABLE TWIRAP - POLYPROPYLENE	2	EA
6	1390190	FLASH OVP (OPTIONAL)	1	EA



- GENERAL NOTES:**
- LIGHTNING ROD INFORMATION (RECOMMENDED):**
 - USE A LIGHTNING ROD INSTALLED PER MANUFACTURER'S RECOMMENDATIONS.
 - LOCATE LIGHTNING ROD WHERE IT WILL NOT INTERFERE WITH ACCESS BY MAINTENANCE OR SERVICE PERSONNEL.
 - STEPS FOR PROPER GROUNDING:**
 - CUSTOMER TO PROVIDE ALL OTHER METHODS OF GROUNDING, PER NEG. REQUIREMENTS.
 - ALL GROUNDS SHOULD BE ASSURED A DIRECT ELECTRICAL PATH TO EARTH GROUND.
 - CABLE INSTALLATION:**
 - INPUT POWER IS 120-240VAC, 50/60HZ, 0.68A RMS.
 - CABLE TERMINATION TO BE PROVIDED BY OTHERS.
 - MONITORING OF DRY CONTACT ALARMS TO BE PROVIDED BY OTHERS.
 - CONTACT FLASH TECHNOLOGY SALES DEPT. (PHONE: 800-821-5925):**
 - CUSTOMER TO VERIFY SPECIFICATIONS OF NACELLE TO SELECT APPROPRIATE MTG. BRACKET.
 - HARDWARE IS INCLUDED WITH MTG. BRACKET ASSEMBLY.
 - LEVELING SYSTEM & TORQUE SETTINGS USED ON ITEM - 2A) UNIVERSAL MTG. BRACKET:**
 - LEVELING SYSTEM ON 3991210, USES THREE POINT GEOMETRIC PLANE DEFINITION WITH UP TO 10' OF ADJUSTMENT.
 - HARDWARE TORQUE SETTINGS: (FLASHHEAD TO BRACKET) AS FOLLOWS:
 BOLTS: (STL. STEEL) 3/8-16 UNC = 20 FT. LBS.
 JAM NUTS: (STL. STEEL) 1/2-13 UNC = 43 FT. LBS.
 JAM NUTS: (SILICONE BRONZE) 1/2-13 UNC = 40 FT. LBS.

- GPS ANTENNA:**
 - PERMITS SYNCHRONIZATION TO OTHER BEACONS.
 - IT MUST HAVE AN UNOBSTRUCTED VIEW OF THE SKY.
- WEATHER-TIGHT CONNECTOR:** TO BE PROVIDED BY OTHERS.
- DIMENSIONS:** ALL DIMENSIONS WITHIN BRACKETS [] ARE IN MILLIMETERS.
- WATERPROOF SEALANT:** INSTALLER TO APPLY WATERPROOF SEALANT COMPLETELY AROUND MOUNTING BRACKET BASE OR ANY ORIFICE, TO PREVENT MOISTURE FROM ENTERING NACELLE.

UNLESS OTHERWISE SPECIFIED DIMENSIONS ARE IN INCHES	TOLERANCES	XXX DECIMAL	± .010
XXX DECIMAL	± .02	± .010	± .010
ANGLES	± 1'	MAX	MAX
MATERIAL:	N/A	N/A	N/A
FINISH:	N/A	N/A	N/A
USED ON:	FTS370I	FTS370I	FTS370I
APPLICATION:	NEXT ASSEMBLY	USED ON:	APPLICATION

ENGINEERING-PROPRIETARY

DATE: 07/08/09
DRAWN BY: JMA
CHECKED BY: DD
DATE: 07/20/09

ENGINEER: _____
DATE: _____

THIRD ANGLE PROJECTION

Flash Technology
133 WINDY HILL LANE
FRANKLIN, IN 47927
UNITED STATES OF AMERICA
TEL: (317) 261-2800
FAX: (317) 261-2800

TITLE: **FTS370I**
INSTALLATION DRAWING

SIZE: **D** DWG NO.: **7790200**
SCALE: NTS SHEET: 1 OF 1