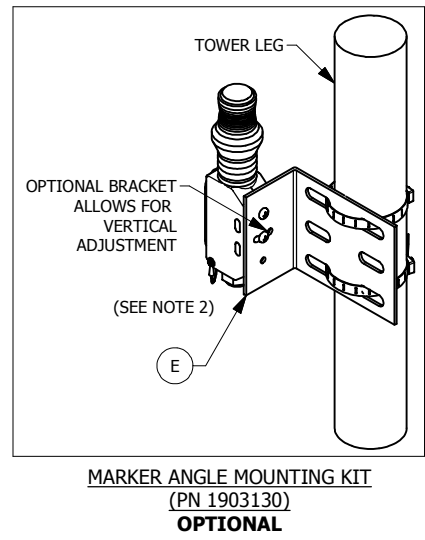
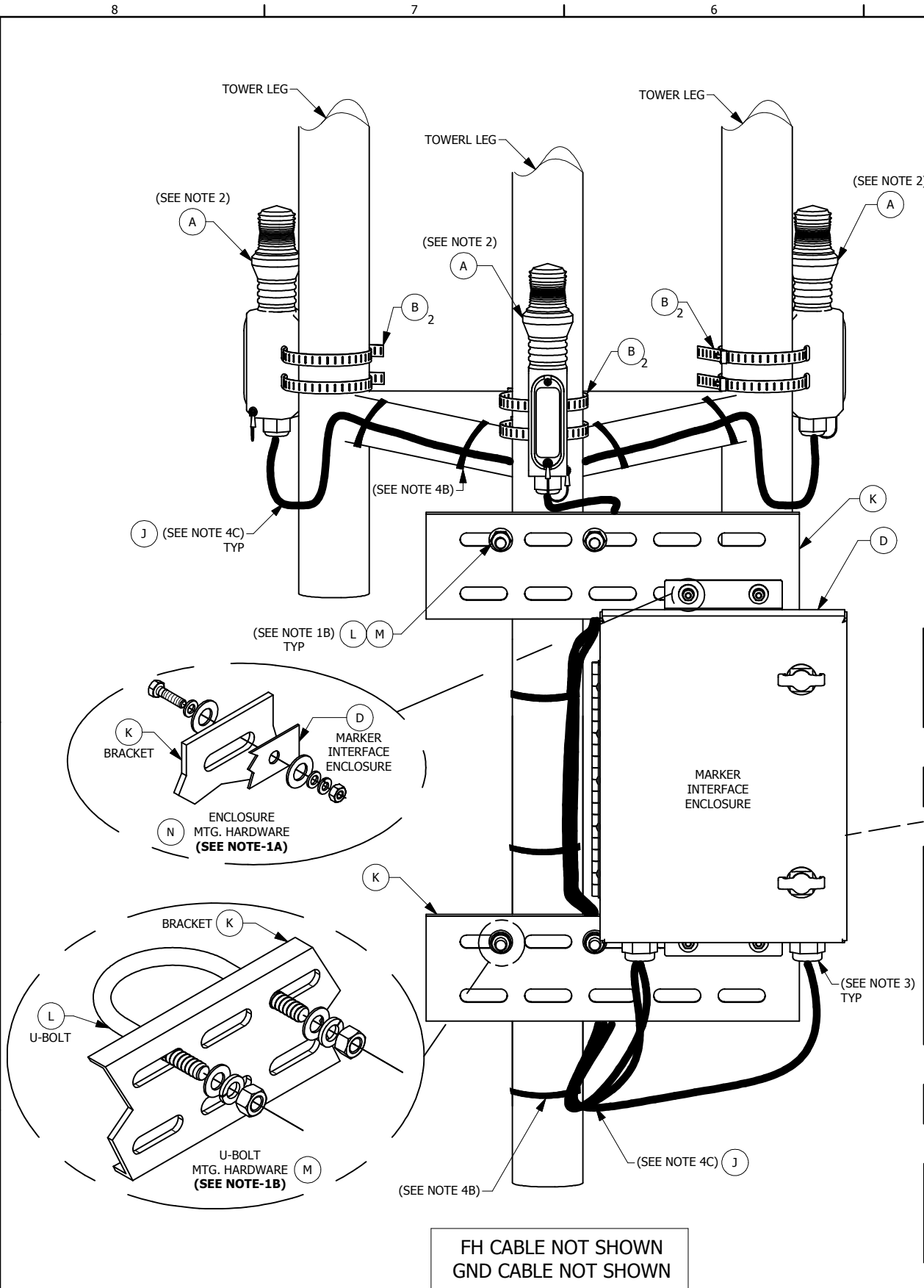
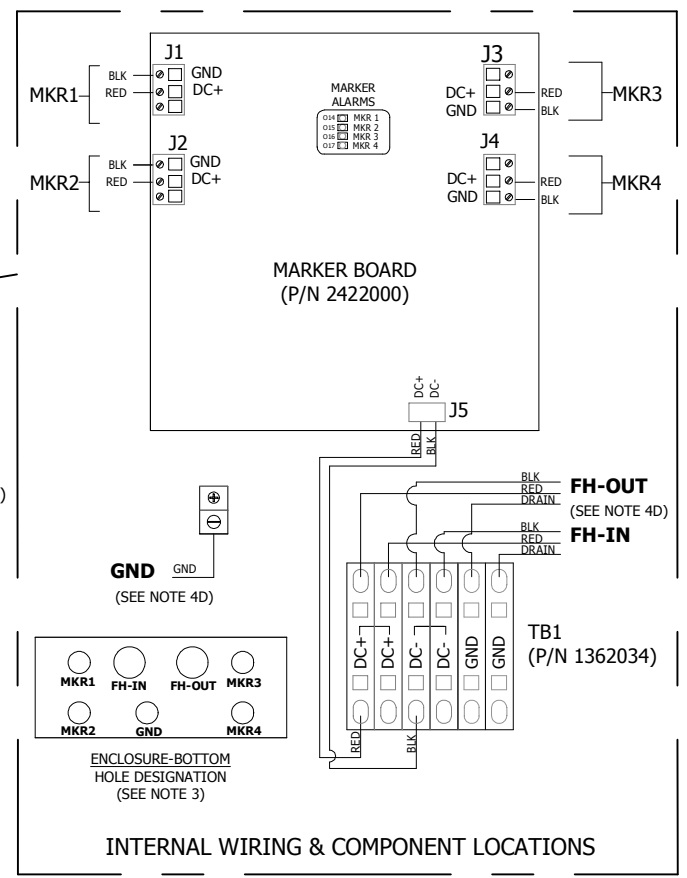


ZONE		REV	ECO	REVISIONS	DESCRIPTION	REV BY	DATE	APPR BY
A		5801		PRODUCTION RELEASE		SPS	02/14/14	HK
B		5861		ADDED ITEM A2 MKR 370 DC IR		SPS	05/20/14	HK
C		6276		UPDATED MARKER BASE AND BOM		SG	11/16/16	HK

BILL OF MATERIAL						
ITEM	P/N	DESCRIPTION	COMPONENT QTY			UNITS
			2 MKR	3 MKR	4 MKR	
	F19040XX / F19060XX	MARKER L810 MKR 370 DC KIT	2	3	4	EA
A	F111900X	MARKER L810 MKR 370 DC	2	3	4	EA
B	F1903120	VANGUARD MARKER MOUNTING KIT (1) MARKER	2	3	4	EA
	F5990252	CLAMP ADJUSTABLE 2" - 10"	4	6	8	EA
C	F7904208	VANGUARD DC MARKER QUICK START GUIDE (NOT SHOWN)	1	1	1	EA
D	F190391X	MKR 370 MARKER INTERFACE ENCLOSURE	1	1	1	EA
E	F1903130	MARKER ANGLE MOUNTING KIT (OPTIONAL)	2	3	4	EA
	F1137002	MKR 370 HARDWARE KIT GUYED DC VANGUARD	1	1	1	EA
F	F5900905	TAPE, ELECTRIC, 2"	1	1	1	EA
G	F5900906	TAPE, FILAMENT, 1"	1	1	1	EA
H	F5991728	TAPE, 0.75" BLACK ELECTRIC	1	1	1	EA
J	F4218000	CABLE TC RATED 18AWG/2C, 60FT	1	1	1	EA
K	F3990810	BRACKET, ADJUSTABLE MOUNTING	2	2	2	EA
L	F5998351	U-BOLT HDG 1/2 X 3 X 5 CUSTOM THREAD	2	2	2	EA
M	F5991790	HARDWARE MOUNTING ASSY 1/2" (U-BOLT)	2	2	2	EA
	F5998335	NUT HEX, HOT DIPPED GALVANIZED, 1/2"	4	4	4	EA
	F5998336	LOCKWASHER, HOT DIPPED GALVANIZED, 1/2"	4	4	4	EA
	F5998337	FLATWASHER, HOT DIPPED GALVANIZED, 1/2"	4	4	4	EA
N	F5991717	MARKER BOX MOUNTING ASSEMBLY HARDWARE	1	1	1	EA
	F5900759	SCREW HEX HEAD, 1/4-20 X 1" SS	4	4	4	EA
	F5901101	FLATWASHER, 1/4"	8	8	8	EA
	F5998337	FLATWASHER, HOT DIPPED GALVANIZED, 1/2"	8	8	8	EA
	F5901141	LOCKWASHER, 1/4 SS	4	4	4	EA
	F5900444	NUT HEX 1/4-20 SS	4	4	4	EA



ITEM D-ENCLOSURE INFORMATION CARD



INSTALLATION NOTES

- MARKER INTERFACE ENCLOSURE AND U-BOLT INSTALLATION :**
 A) LOCATE AND INSTALL MARKER INTERFACE ENCLOSURE (D) TO ADJUSTABLE MOUNTING BRACKET (K).
 B) TRIM U-BOLT (L) IF PERMISSIBLE, TO AVOID ANY INTERFERENCE.
- INSTALLING MARKER FIXTURE:**
 PERMISSIBLE MARKER ANGLE IS UP TO 5° FROM VERTICAL WITHOUT OPTIONAL ANGLE MOUNTING KIT (E).
- INSTALLING CABLE (J) THROUGH CORD GRIPS:**
 A) INSERT CABLE (J) THROUGH CORD GRIP, LEAVING ENOUGH CABLE LENGTH TO MAKE ELECTRICAL CONNECTIONS.
 B) FROM THE OUTSIDE OF THE MARKER INTERFACE ENCLOSURE, TIGHTEN CORD GRIP TO SECURE CABLE (J).
- INSTALLING CABLE (J) AND ELECTRICAL CONNECTIONS :**
 A) DIRECT ALL CONNECTING CABLES DOWN AND AWAY FROM MARKER INTERFACE ENCLOSURE TO PREVENT MOISTURE FROM ENTERING THE BOX.
 B) SECURE ALL CABLES USING THE STANDARD 2-3-4 TAPING METHOD (F & G) AS DIRECTED IN EQUIPMENT MANUAL.
 C) INSTALL A DRIP LOOP, FOR CABLE, NEAR THE MARKER INTERFACE ENCLOSURE AND AT EACH MARKER FIXTURE.
 D) FLASHHEAD AND GROUND CABLES TO BE INSTALLED PER MANUAL. (SEE MARKER INTERFACE WIRING SECTION)
 E) REFER TO MARKER QUICK START GUIDE (C) FOR PROPER ELECTRICAL CONNECTIONS.
- TECHNICAL SUPPORT:**
 FOR TECHNICAL SUPPORT CALL "NOC" (1-800-821-5825).

DC MARKER INSTALLATION GUYED TOWER
(3 MARKERS SHOWN)

* SEE BOM AND PACKING SLIP FOR DETAILS

COMPANY CONFIDENTIAL: INFORMATION CONTAINED HEREIN IS CONFIDENTIAL. IT IS THE PROPERTY OF SPX CORPORATION. IT IS TO BE USED SOLELY FOR THE PURPOSE PROVIDED, AND IT IS NOT TO BE DISCLOSED TO OTHERS WITHOUT THE PRIOR WRITTEN CONSENT OF SPX CORPORATION.

UNLESS OTHERWISE SPECIFIED DIMENSIONS ARE IN INCHES TOLERANCES:		ENGINEERING - PROPRIETARY		Flash Technology	
.XX DECIMAL	± 0.02	XXX DECIMAL	± 0.010	DRAWN BY: SG	DATE: 02/14/14
ANGLES	± 1'	SURFACE QUALITY	✓ MAX	CHECKED BY: HK	DATE: 02/14/14
MATERIAL: SEE BOM		THIRD ANGLE PROJECTION		TITLE: MKR 370 DC GUYED TOWER INSTALLATION DRAWING	
FINISH: NA		SCALE: 1:1		SIZE: DWG NO: 7790108	
APPLICATION		SHEET: 1 OF 1		REV: C	

332 NICHOL MILL LANE
FRANKLIN, TN 37067
UNITED STATES OF AMERICA
PHN: (615) 503-2000
FAX: (615) 281-2800