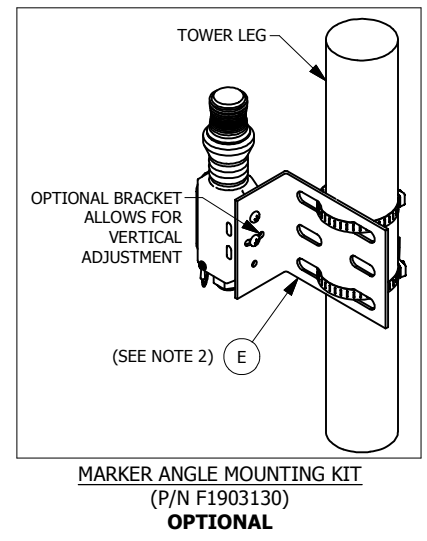
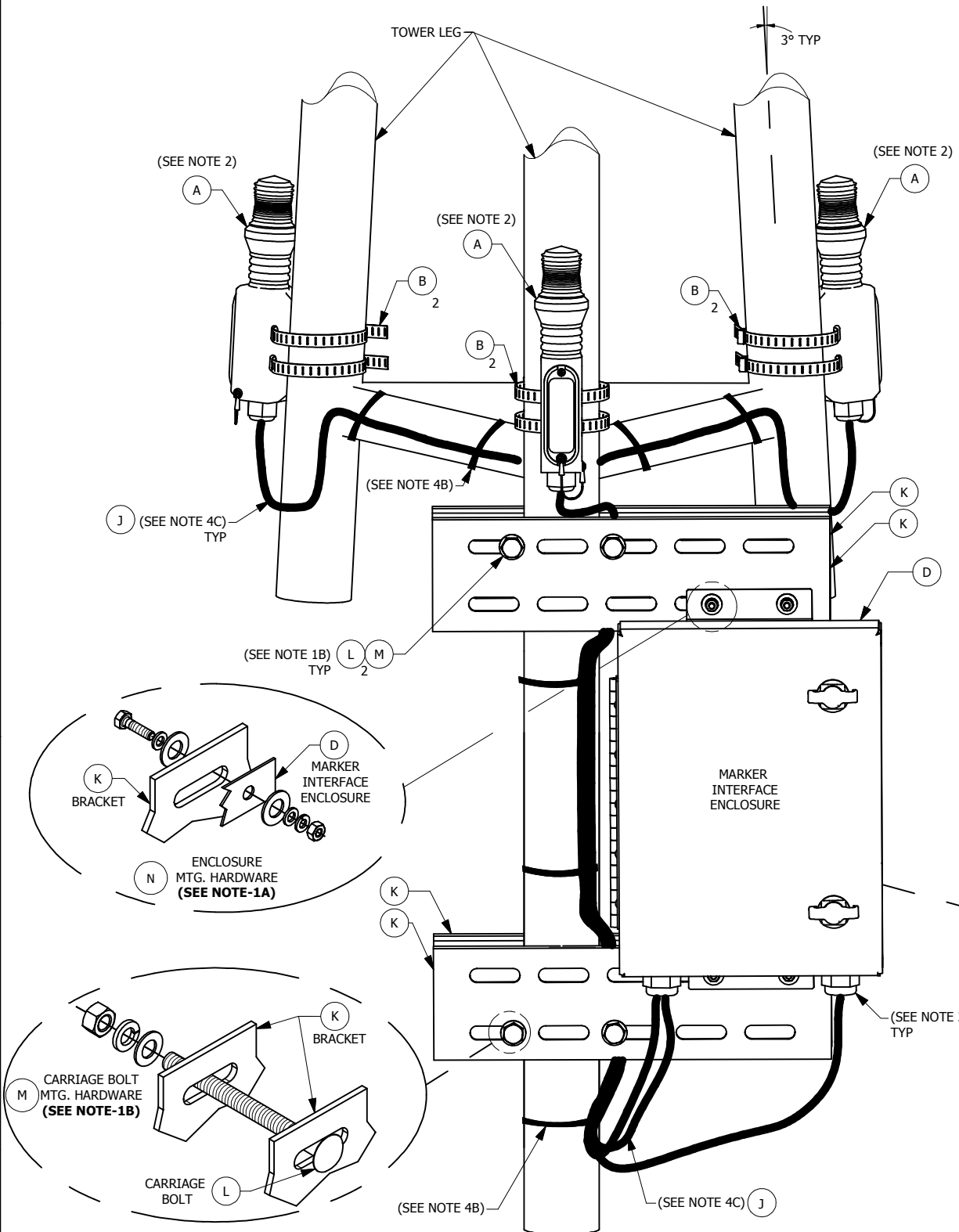
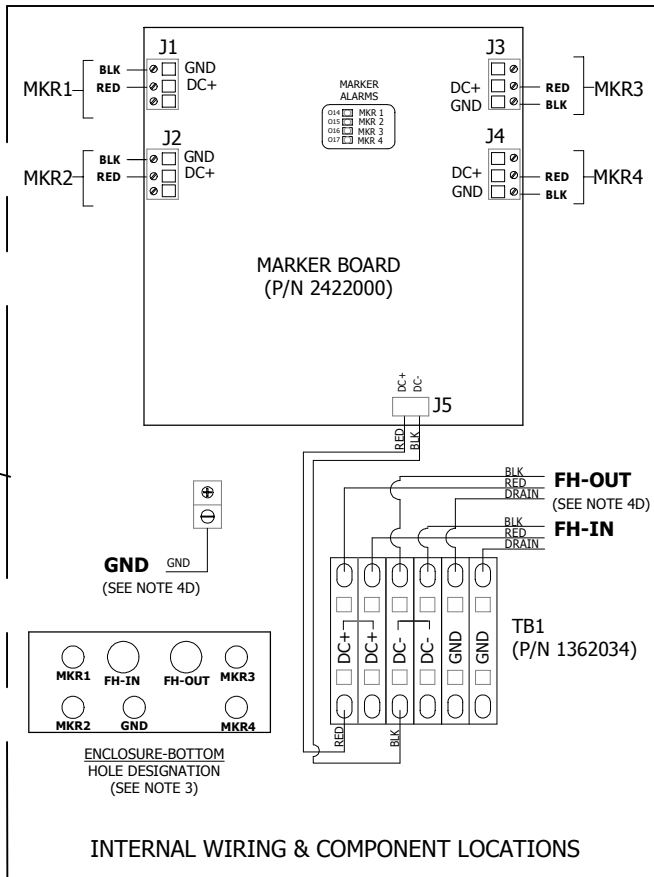


ZONE		REV	ECO	DESCRIPTION	REV BY	DATE	APPR BY
	A	5801		PRODUCTION RELEASE	SPS	02/14/14	HK
	B	5861		ADDED ITEM A2 MKR 370 DC IR	SPS	05/20/14	HK
	C	6276		UPDATED MARKER BASE AND BOM	SG	11/16/16	HK

BILL OF MATERIAL						
ITEM	P/N	DESCRIPTION	COMPONENT QTY			UNITS
			2 MKR	3 MKR	4 MKR	
	F19040XX / F19060XX	MARKER L810 MKR 370 DC KIT	2	3	4	EA
A	F111900X	MARKER L810 MKR 370 DC	2	3	4	EA
B	F1903120	INCLUDED IN ASSEMBLY MKR 370 ADJUSTABLE STRAP KIT VANGUARD	2	3	4	EA
		INCLUDED IN ASSEMBLY F5990252 CLAMP ADJUSTABLE 2" - 10"	4	6	8	EA
C	F7904208	VANGUARD DC MARKER QUICK START GUIDE (NOT SHOWN)	1	1	1	EA
D	F190391X	MKR 370 MARKER INTERFACE ENCLOSURE	1	1	1	EA
E	F1903130	MARKER ANGLE MOUNTING KIT (OPTIONAL)	2	3	4	EA
	F1137001	MKR 370 HARDWARE KIT SELF SUPT VANGUARD	1	1	1	EA
F	F5900905	TAPE, ELECTRIC, 2"	1	1	1	EA
G	F5900906	TAPE, FILAMENT, 1"	1	1	1	EA
H	F5991728	TAPE, 0.75" BLACK ELECTRIC	1	1	1	EA
J	F4218000	CABLE, TRAY RATED 18AWG/2C, 175 FT	1	1	1	EA
K	F3990810	BRACKET, ADJUSTABLE MOUNTING	4	4	4	EA
L	F5990119	CARRIAGE BOLT - 0.5"-13 X 12" LONG (HOT DIPPED GALVANIZED)	4	4	4	EA
M	INCLUDED IN ASSEMBLY INCLUDED IN ASSEMBLY HARDWARE	F5998335 NUT HEX, HOT DIPPED GALVANIZED, 1/2"	4	4	4	EA
		F5998336 LOCKWASHER, HOT DIPPED GALVANIZED, 1/2"	4	4	4	EA
		F5998337 FLATWASHER, HOT DIPPED GALVANIZED, 1/2"	4	4	4	EA
		F5991717 MARKER BOX MOUNTING ASSEMBLY HARDWARE	1	1	1	EA
N	INCLUDED IN ASSEMBLY INCLUDED IN ASSEMBLY HARDWARE	F5900759 SCREW HEX HEAD, 1/4-20 X 1" SS	4	4	4	EA
		F5901101 FLATWASHER, 1/4"	8	8	8	EA
		F5998337 FLATWASHER, HOT DIPPED GALVANIZED, 1/2"	8	8	8	EA
		F5901141 LOCKWASHER, 1/4 SS	4	4	4	EA
		F5900444 NUT HEX 1/4-20 SS	4	4	4	EA



ITEM D-ENCLOSURE INFORMATION CARD



INSTALLATION NOTES

- MARKER INTERFACE ENCLOSURE AND CARRIAGE BOLT INSTALLATION :**
A) LOCATE AND INSTALL MARKER INTERFACE ENCLOSURE (D) TO ADJUSTABLE MOUNTING BRACKET (K).
B) TRIM CARRIAGE BOLT (L) IF PERMISSIBLE, TO AVOID ANY INTERFERENCE.
- INSTALLING MARKER FIXTURE:**
PERMISSIBLE MARKER ANGLE IS UP TO 5° FROM VERTICAL WITHOUT OPTIONAL ANGLE MOUNTING KIT (E).
- INSTALLING CABLE (J) THROUGH CORD GRIPS:**
A) INSERT CABLE (J) THROUGH CORD GRIP, LEAVING ENOUGH CABLE LENGTH TO MAKE ELECTRICAL CONNECTIONS.
B) FROM THE OUTSIDE OF THE MARKER INTERFACE ENCLOSURE, TIGHTEN CORD GRIP TO SECURE CABLE (J).
- INSTALLING CABLE (J) AND ELECTRICAL CONNECTIONS :**
A) DIRECT ALL CONNECTING CABLES DOWN AND AWAY FROM MARKER INTERFACE ENCLOSURE TO PREVENT MOISTURE FROM ENTERING THE BOX.
B) SECURE ALL CABLES USING THE STANDARD 2-3-4 TAPING METHOD (F & G) AS DIRECTED IN EQUIPMENT MANUAL.
C) INSTALL A DRIP LOOP, FOR CABLE, NEAR THE MARKER INTERFACE ENCLOSURE AND AT EACH MARKER FIXTURE.
D) FLASHHEAD AND GROUND CABLES TO BE INSTALLED PER MANUAL. (SEE MARKER WIRING SECTION)
E) REFER TO MARKER QUICK START GUIDE (C) FOR PROPER ELECTRICAL CONNECTIONS.
- TECHNICAL SUPPORT:**
FOR TECHNICAL SUPPORT CALL "NOC" (1-800-821-5825).

DC MARKER INSTALLATION SELF SUPPORT (3 MARKERS SHOWN)

* SEE BOM AND PACKING SLIP FOR DETAILS

UNLESS OTHERWISE SPECIFIED DIMENSIONS ARE IN INCHES TOLERANCES:		ENGINEERING - PROPRIETARY		Flash Technology	
.XX DECIMAL	.XXX DECIMAL	DRAWN BY: SPS	DATE: 02/14/14	TITTLE	
± 0.02	± 0.010	CHECKED BY: HK	DATE: 02/14/14	MKR 370 DC SELF SUPPORT INSTALLATION DRAWING	
ANGLES ± 1°	SURFACE QUALITY ✓ MAX	ENGINEER: HK	DATE: 02/14/14	SIZE	DWG NO: 7790107
MATERIAL: SEE BOM		THIRD ANGLE PROJECTION		SCALE: NTS	SHEET: 1 OF 1
FINISH: NA		APPLICATION		REV	C

COMPANY CONFIDENTIAL: INFORMATION CONTAINED HEREIN IS CONFIDENTIAL. IT IS THE PROPERTY OF SPX CORPORATION. IT IS TO BE USED SOLELY FOR THE PURPOSE PROVIDED, AND IT IS NOT TO BE DISCLOSED TO OTHERS WITHOUT THE PRIOR WRITTEN CONSENT OF SPX CORPORATION.