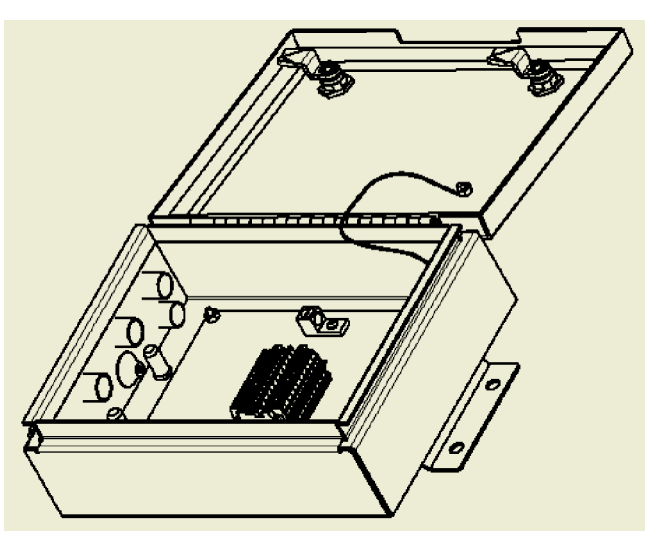
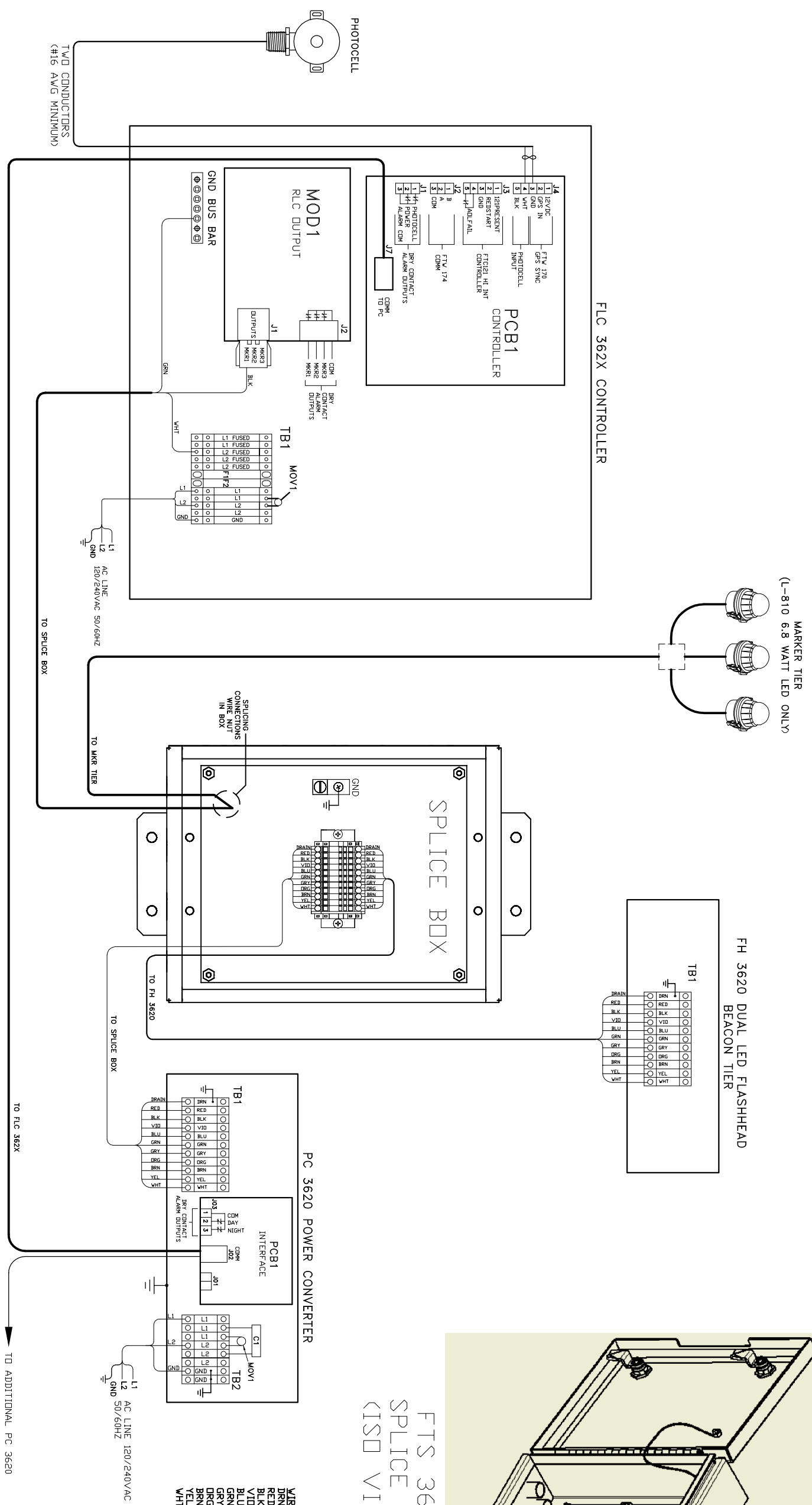


REVISIONS		REV BY	DATE	APPR BY
ZONE	REV	ECO	DESCRIPTION	
-	A	5791	PRODUCTION RELEASE	SPS 01/29/14 HK



FTS 362X  
 SPLICE BOX  
 (ISD VIEW)



WIRE	FUNCTION
DRN	DRAIN
RED	RED_MDD2 +
BK	RED_MDD2_RTN
BLU	WHT_MDD1 +
GRN	WHT_MDD1_RTN
DRG	UNUSED
BRN	WHT_MDD3 +
TEL	WHT_MDD3_RTN
WHT	UNUSED

COMPANY CONFIDENTIAL: INFORMATION CONTAINED HEREIN IS CONFIDENTIAL. IT IS THE PROPERTY OF SPX CORPORATION. IT IS TO BE USED SOLELY FOR THE PURPOSE PROVIDED AND IT IS NOT TO BE DISCLOSED TO OTHERS WITHOUT THE PRIOR WRITTEN CONSENT OF SPX CORPORATION.

UNLESS OTHERWISE SPECIFIED DIMENSIONS ARE IN INCHES	TOLERANCES
.XX DECIMAL	.XXX DECIMAL
+ .02	+ .010
ANGLES	SURFACE QUALITY
+ 1°	✓ MAX
MATERIAL:	N/A
FINISH:	N/A
USED ON	APPLICATION

ENGINEERING-PROPRIETARY  
 DRAWN BY: SPS DATE: 01/29/14  
 CHECKED BY: HK DATE: 01/29/14  
 ENGINEER: DATE:

**Flash Technology**  
 332 NICHOL MILL LANE  
 FRANKLIN, TN 37067  
 UNITED STATES OF AMERICA  
 PHONE: (615) 503-2000  
 FAX: (615) 261-2600

TITLE  
 INSTALL DWG  
 SPLICE BOX  
 FTS 362X

SIZE DWG NO: **7812821**  
 SCALE: 1:1 SHEET: 1 OF 1 REV A