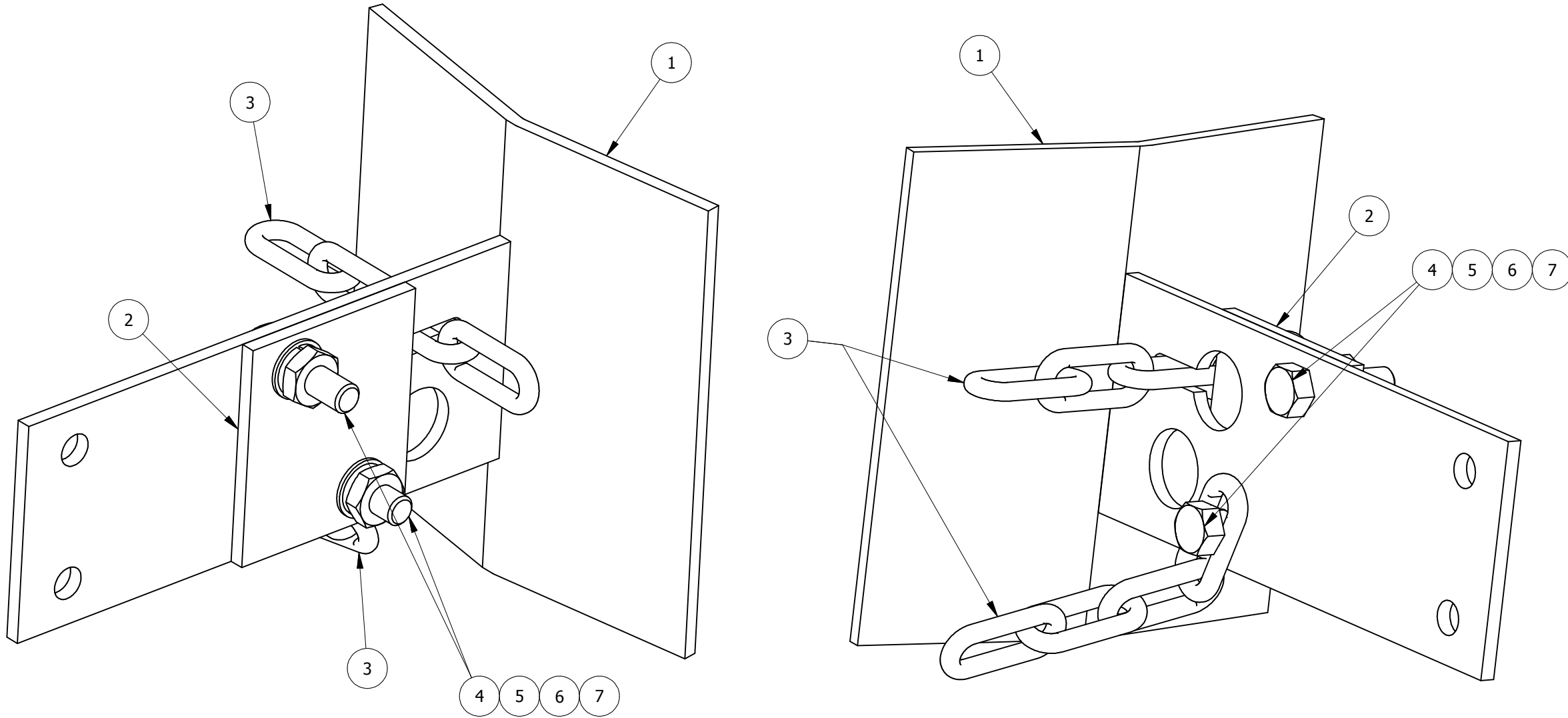


REVISIONS						
ZONE	REV	ECO	DESCRIPTION	REV BY	DATE	APPR BY
	A	5801	PRODUCTION RELEASE	SPS	02/14/14	HK

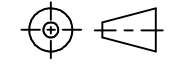


BILL OF MATERIAL					
ITEM	PART NUMBER	DESCRIPTION	QTY	UNIT	
1	3991260	CHAIN MOUNT ANGLE BRACKET	4	EA	
2	5380010	CHAIN MOUNT CHAIN LOCK	2	EA	
3	5380020	CHAIN MOUNT CHAIN 1/4"-15 FT LONG	2	EA	
4	5998337	FLAT WAHSER 1/2" HDG	4	EA	
5	5998336	LOCK WASHER 1/2" HDG	4	EA	
6	5998335	HEX NUT 1/2" HDG	4	EA	
7	5998333	HEX BOLT 1/2" X 1-3/4" HDG	4	EA	

UNLESS OTHERWISE SPECIFIED DIMENSIONS ARE IN INCHES TOLERANCES:		<b>ENGINEERING - PROPRIETARY</b>		<b>Flash Technology</b>	
.XX DECIMAL	± 0.02	.XXX DECIMAL	± 0.010	DRAWN BY: SPS	DATE: 02/14/14
ANGLES	± 1°	SURFACE QUALITY	✓ MAX	CHECKED BY: HK	DATE: 02/14/14
MATERIAL: SEE BOM			ENGINEER: HK DATE: 02/14/14		
FINISH: -			THIRD ANGLE PROJECTION		
TITLE: CHAIN MOUNT SUPPORT WITH HARDWARE			SIZE: D		
SCALE: 1:1			DWG NO: 5370989		
SHEET: 1 OF 1			REV: A		

COMPANY CONFIDENTIAL: INFORMATION CONTAINED HEREIN IS CONFIDENTIAL. IT IS THE PROPERTY OF SPX CORPORATION. IT IS TO BE USED SOLELY FOR THE PURPOSE PROVIDED, AND IT IS NOT TO BE DISCLOSED TO OTHERS WITHOUT THE PRIOR WRITTEN CONSENT OF SPX CORPORATION.

APPLICATION



332 NICHOL MILL LANE  
FRANKLIN, TN 37067  
UNITED STATES OF AMERICA  
PHN: (615) 503-2000  
FAX: (615) 261-2600