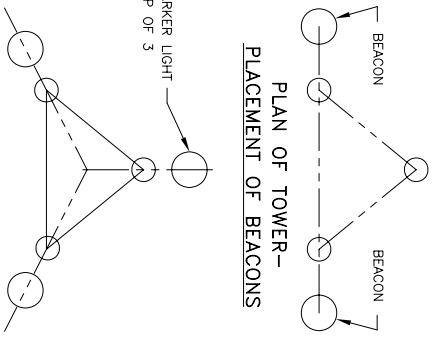
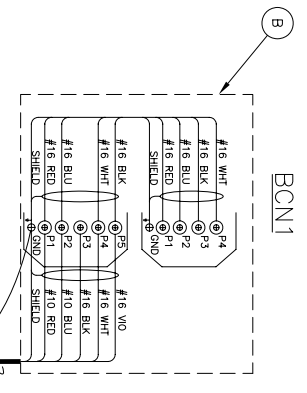
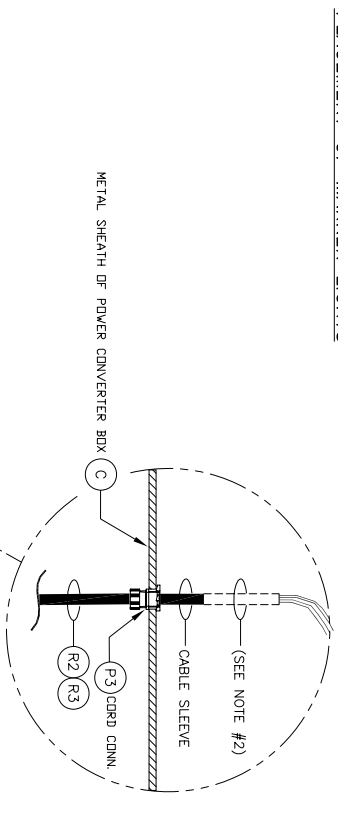
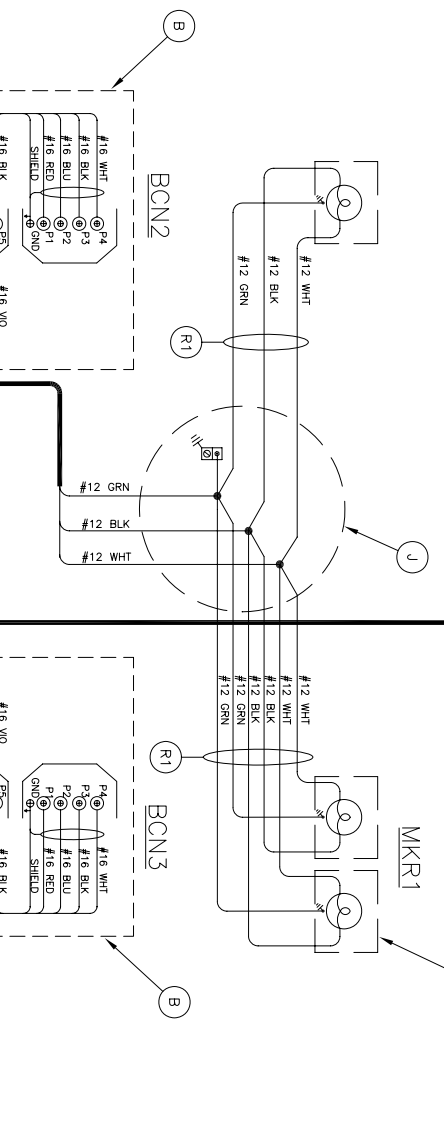


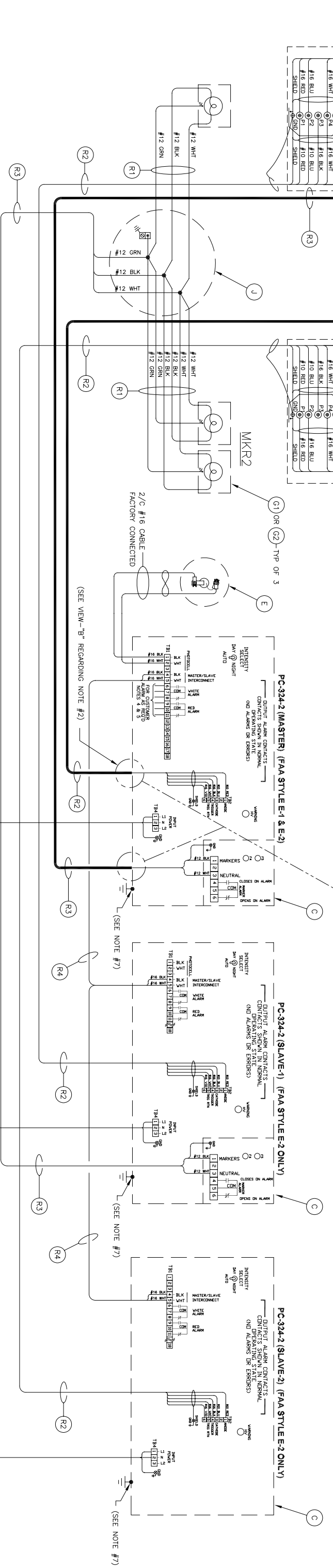
MAXIMUM OVERALL HEIGHT
(SEE NOTE #19, SHEET-1)



PLAN OF TOWER-
PLACEMENT OF MARKER LIGHTS



VIEW-"B" (TYPICAL)

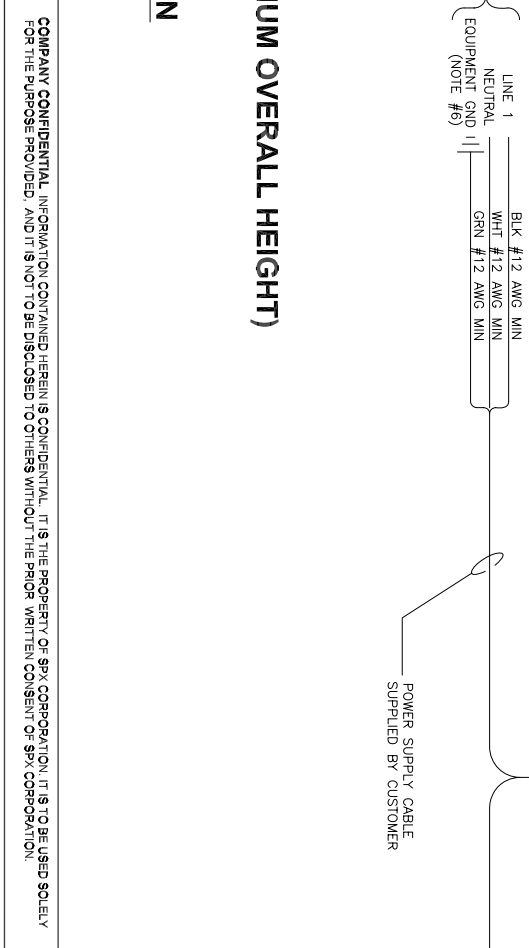


NOTES

1. DETERMINE INPUT CONDUCTOR SIZE BY CONSIDERING THE SERVICE VOLTAGE, THE TOTAL LOAD DEMAND AND THE LENGTH OF THE WIRE RUN.
2. REMOVE EXCESS CABLE SLEEVE FROM (R2) AND (R3) WHERE CABLES EMERGE FROM METAL SHEATH. THIS IS TO PREVENT THE ENTRANCE OF MOISTURE FROM CONTACTING LIVE PARTS. TAKE EXTREME CAUTION, WHEN STRIPPING SLEEVE FROM CABLE WHILE USING CUTTING TOOL DO NOT DAMAGE INDIVIDUAL CONDUCTORS.
3. USE L1 AND NEUT FOR 120V, 60 Hz. CHECK NAME PLATE RATING FOR PROPER INPUT VOLTAGE.
4. CONTACT RATING 1 AMPERE, 120 VAC. USER'S EXTERNAL ALARM CIRCUIT NOT SHOWN.
5. EACH 324 POWER CONVERTER MUST HAVE ITS ALARM CONTACTS INTERCONNECTED IN EITHER PARALLEL OR SERIES, TO ACCOMMODATE USER'S ALARM CIRCUITRY.
6. EQUIPMENT GROUND MUST BE INCLUDED RUNNING TO POWER CONVERTERS. IF AN APPROVED CONDUIT SYSTEM IS NOT USED, REQUIRED LOCAL CODES MUST BE MET.
7. APPLY PROPER GROUNDING CONNECTION FROM POWER CONVERTER TO SITE GROUNDING SYSTEM.
8. IMMEDIATELY GROUND ALL FLEXIBLE CABLE SHIELDS AND ANY UNUSED WIRES TO THE GROUNDING BUSHING. KEEP WIRES AS SHORT AS POSSIBLE WHEN THEY ENTER ANY EQUIPMENT ENCLOSURE.
9. WHEN 3 SEPARATE BREAKERS ARE UTILIZED, ALL BREAKERS MUST BE ON AT THE SAME PHASE.

FAA STYLE (E-2) TOWER SHOWN (500 FEET MAXIMUM OVERALL HEIGHT)

6 - MARKER INSTALLATION
FAA STYLE (E-1) TOWER NOT SHOWN



NO.	DESCRIPTION	DATE	BY	CHK'D
1	APPROVED FOR INSTALLATION	01/16/07	JA	RH
0	SUBMITTED FOR APPROVAL	10/13/06	JA	HK

FLASH TECHNOLOGY

332 NICHOL HILL LANE
FRANKLIN, TN 37067
UNITED STATES OF AMERICA
PH: (615)903-2000 FAX: (615)261-2600

WIRING DIAGRAM
SHEET 2 OF 2

INSTALLATION INSTRUCTIONS
FAA STYLE
(E-1 & E-2) TOWERS

SCALE	N/A
DRAWN	JA
CHECKED	HK
DES.	
PROJ.	
REVIEWED BY CLIENT	
APPR. FOR CONST.	

DRAWING NO. 11000001836
REV. 1